



# PAPER CRAFT

## Assembly Instructions



Thank you for downloading the "YZR-M1" paper craft model. By simply following this manual while referring to the names and numbers shown on the parts sheets, you can assemble an authentic-looking replica of the YZR-M1.

---

- Assembly instructions: Fourteen A4-sized sheets.
  - Paper craft: Eighteen A4-sized sheets with 114 parts in all
- 

These instructions apply only to the "YZR-M1." These Paper Craft parts are easier to work with when printed out on strong, thick paper (like postcard stock).

■ In creating these Paper Craft models we use  
110kg Kent paper stock

## 1 To begin

### ■ Tools and materials needed

-Ruler - scissors - blade cutter or "Exacto-knife" - awl or other pointed tool (for making a folding crease) - felt pen - pin set - glue - hand towel ( for cleaning your fingers) - dictionary or other heavy book ( to press the papers flat).

### ■ Items of Caution

\*Take care when using sharp or pointed objects or when using bladed cutting tools. Place a heavy sheet of paper under the paper you want to cut.

\*Use glue and other adhesives only in well-ventilated areas.

\*When printing, use a slightly reduced font size. There may be differences in dimensions, depending on the type of printer used.

## 2 How to assemble

\*Follow the working method and markings carefully.

\*Cut carefully along the outer line with cutting blade, Exacto-knife or scissors.

### One - point Advice

\*Cut carefully with cutting blade, Exacto-knife or scissors.

\*For folding parts, first use an awl or other pointed tool to make a light crease along the dotted or solid line. This will make the folds straight. Avoid making strong creases, as this will cause the paper to tear.

\*As an adhesive, white wood glue is recommended. Avoid over application as this may cause the paper to wrinkle.

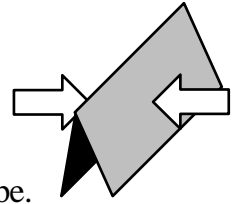
\*Before beginning assembly, test adhesive amounts on extra paper.

\*Occasionally, white spots will be apparent on folds and cuts. Use a marker or pencil to fill in these spots. It is recommended that this be done after each stage of assembly because coloring becomes more difficult once parts are assembled.

## Basic working method and markings

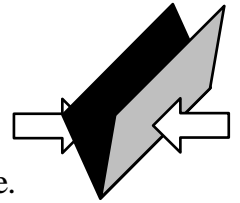
### ————— Solid lines

Fold along these lines.  
The printed surface should be on the outside of the folded shape.



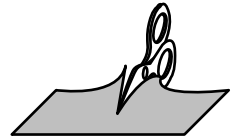
### ----- Broken lines

Fold along these lines.  
The printed surface should be on the inside of the folded shape.

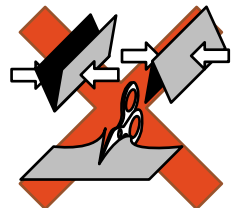


### ----- Dotted line

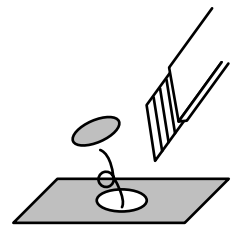
Cut along these lines.



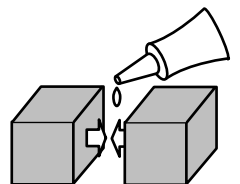
Do not fold or cut the parts marked X.



Cut out parts marked with an asterisk(\*).



Red dots are the reference positions for gluing surfaces.



# 1 Assembling the Front Cowl

First, assemble each component by following the working method and markings. Then, refer to the illustration and photos below to glue the parts together.

Indication of Working Methods



Fold or Curve



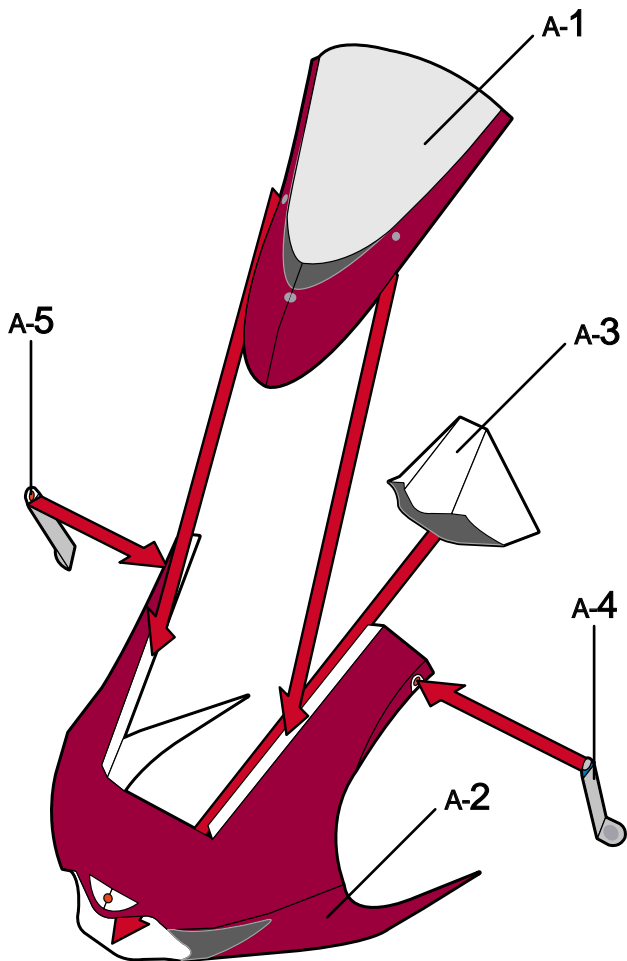
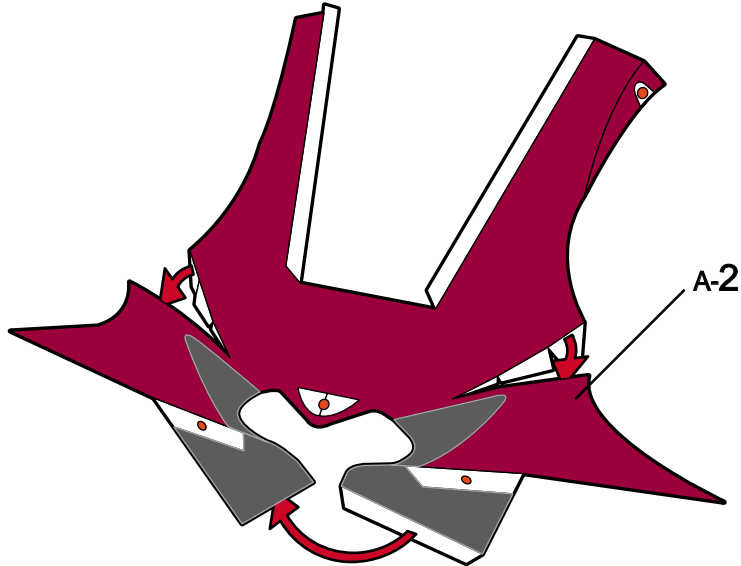
Glue

## Front Cowl

Sheet A, 5 parts in total

Fold each relevant part according to the assembly symbols.

Please use the ● dots on each component as reference when gluing surfaces.



Reference photo



## 2 Assembling the Steering

First, assemble each component by following the working method and markings. Then, refer to the illustration and photos below to glue the parts together.

Indication of Working Methods



Fold or Curve



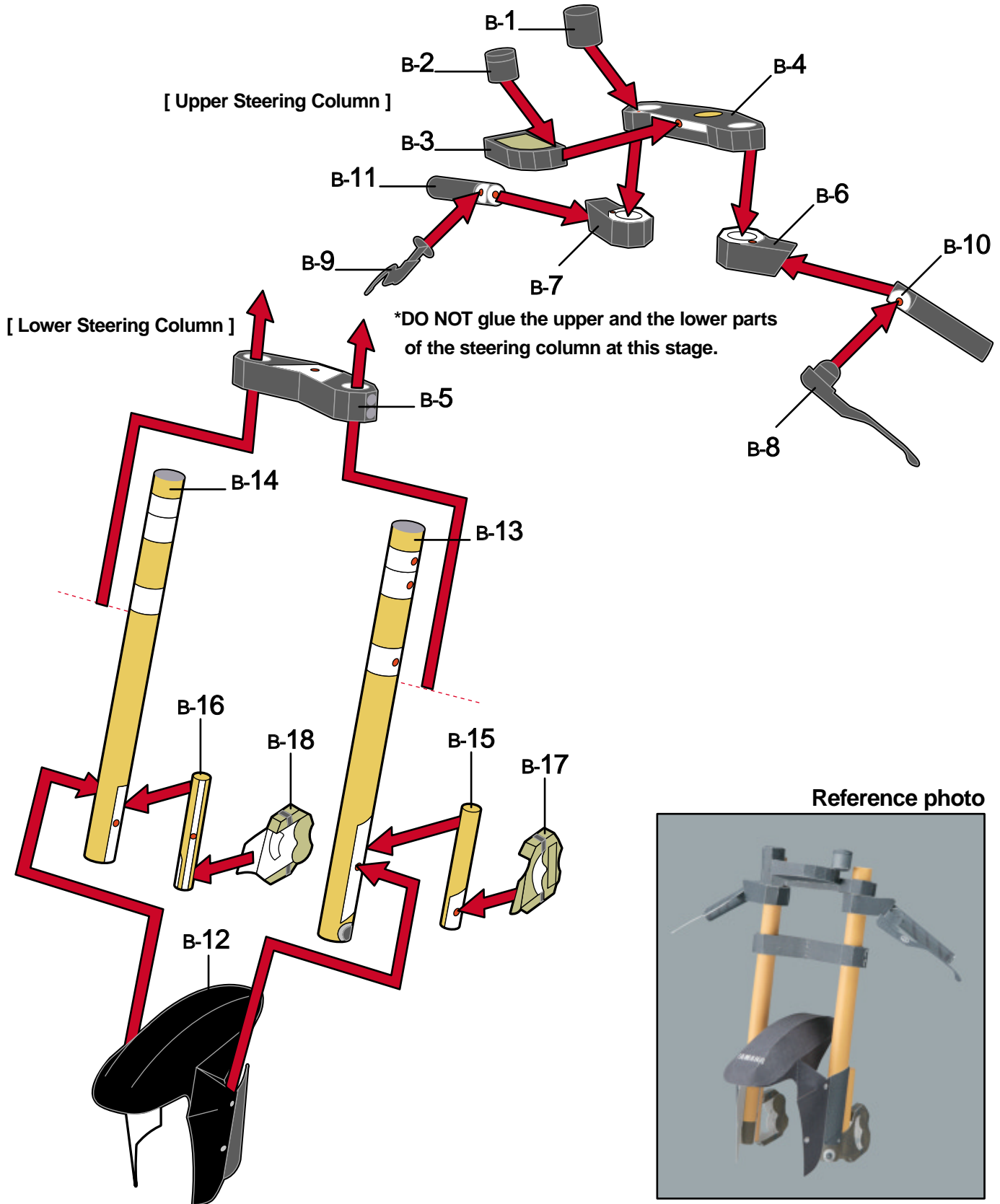
Glue

### Steering

Sheet B, 18 parts in total

Fold each relevant part according to the assembly symbols.

Please use the ● dots on each component as reference when gluing surfaces.



# 3 Assembling the Fuel Tank & Exhaust Pipes

First, assemble each component by following the working method and markings. Then, refer to the illustration and photos below to glue the parts together.

Indication of Working Methods



Fold or Curve



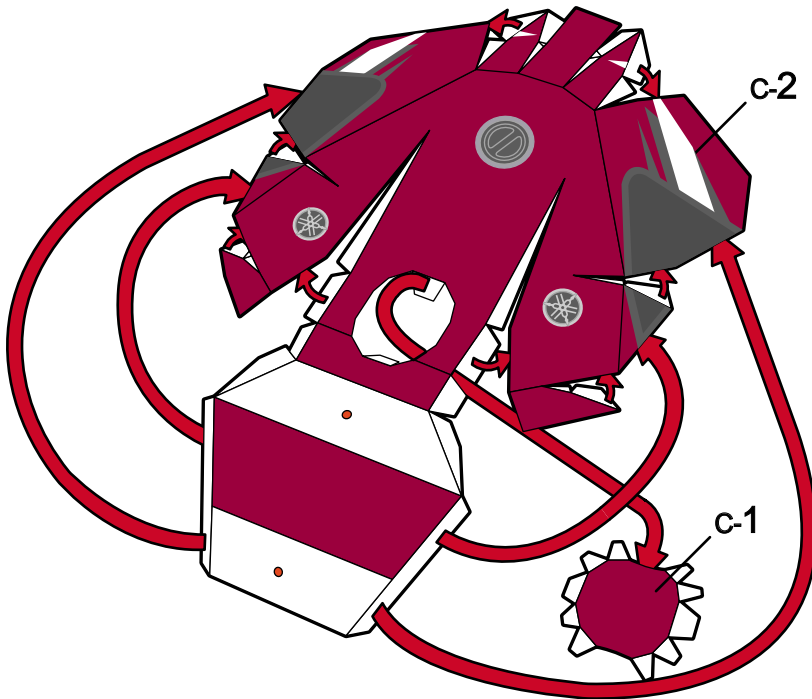
Glue

## Fuel Tank

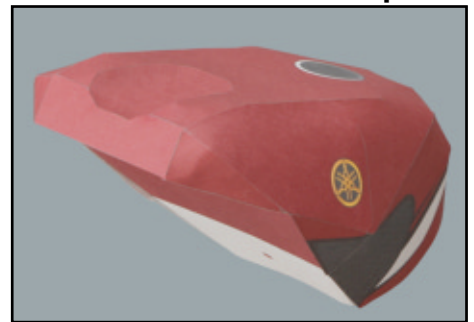
Sheet C, 2 parts in total

Fold each relevant part according to the assembly symbols.

Please use the ● dots on each component as reference when gluing surfaces.



Reference photo

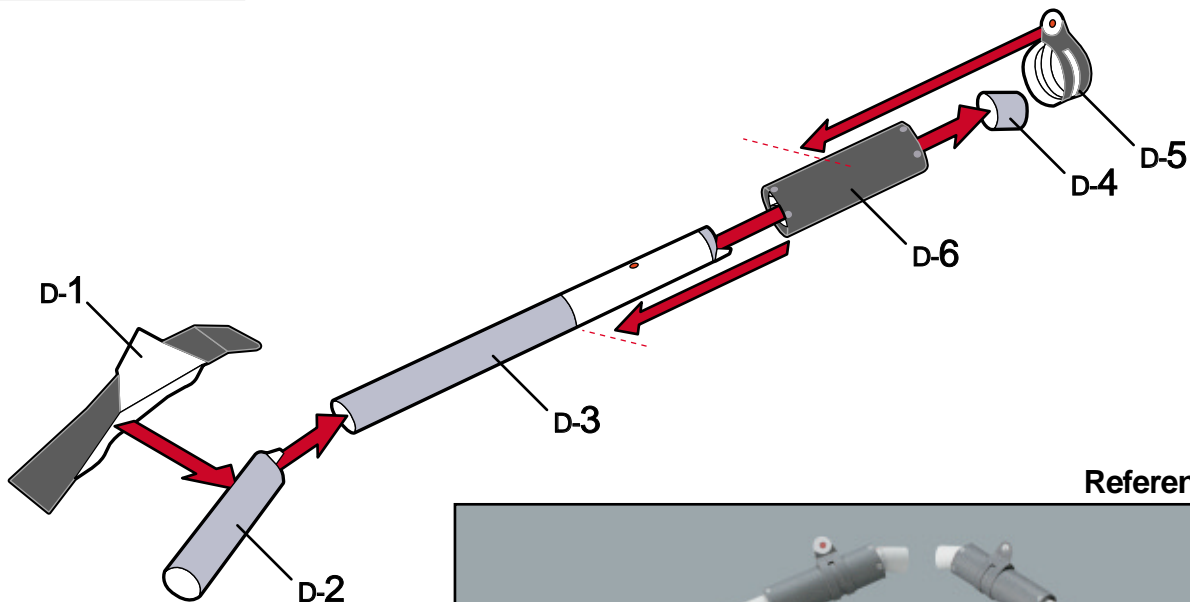


## Exhaust Pipes

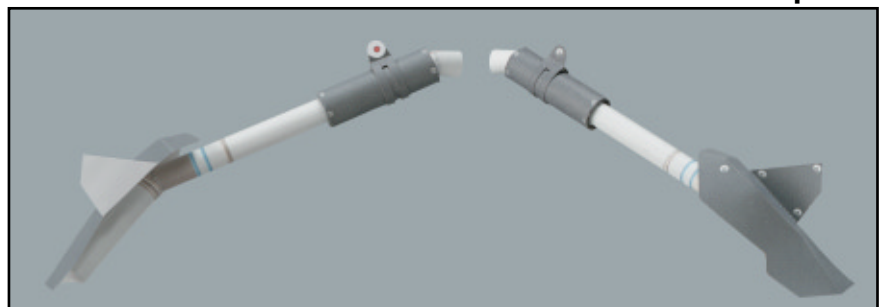
Sheet D, 6 parts in total

Fold each relevant part according to the assembly symbols.

Please use the ● dots on each component as reference when gluing surfaces.



Reference photo



# 4 Assembling the Rear Fender

First, assemble each component by following the working method and markings. Then, refer to the illustration and photos below to glue the parts together.

Indication of Working Methods



Fold or Curve



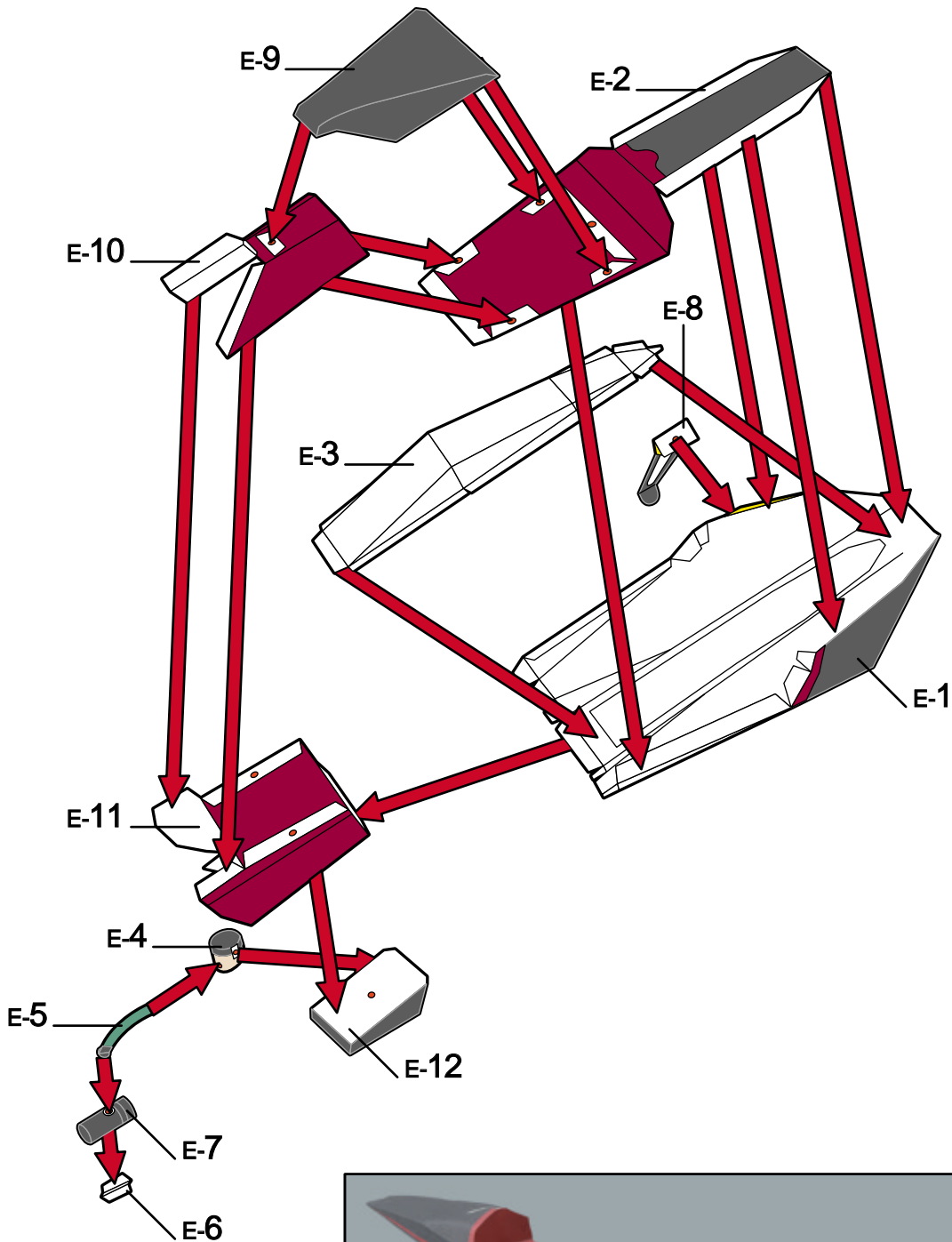
Glue

## Rear Fender

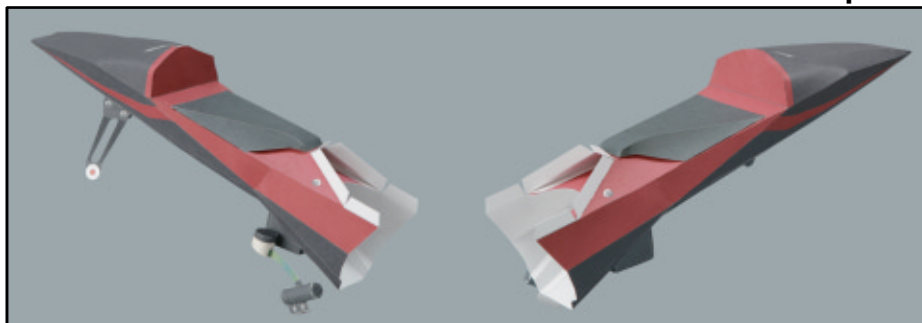
Sheet E, 12 parts in total

Fold each relevant part according to the assembly symbols.

Please use the ● dots on each component as reference when gluing surfaces.



Reference photo



# 5 Assembling the Under Cowl

First, assemble each component by following the working method and markings. Then, refer to the illustration and photos below to glue the parts together.

Indication of Working Methods



Fold or Curve



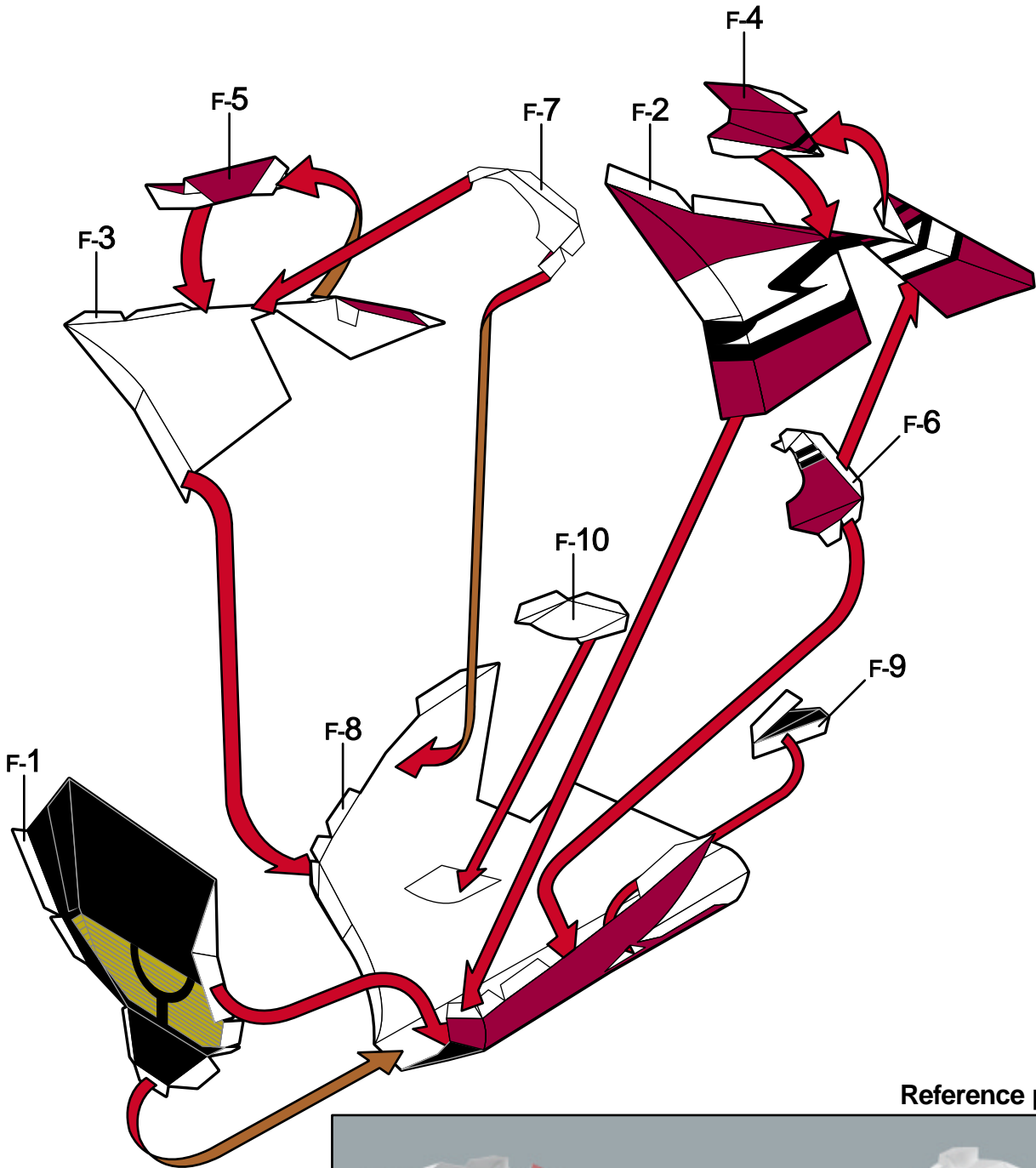
Glue

## Under Cowl

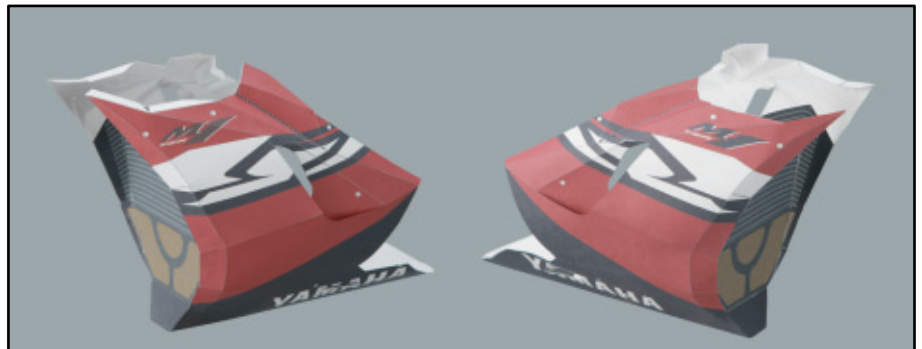
Sheet F, 10 parts in total

Fold each relevant part according to the assembly symbols.

Please use the ● dots on each component as reference when gluing surfaces.



Reference photo



# 6 Assembling the Frame

First, assemble each component by following the working method and markings. Then, refer to the illustration and photos below to glue the parts together.

Indication of Working Methods



Fold or Curve



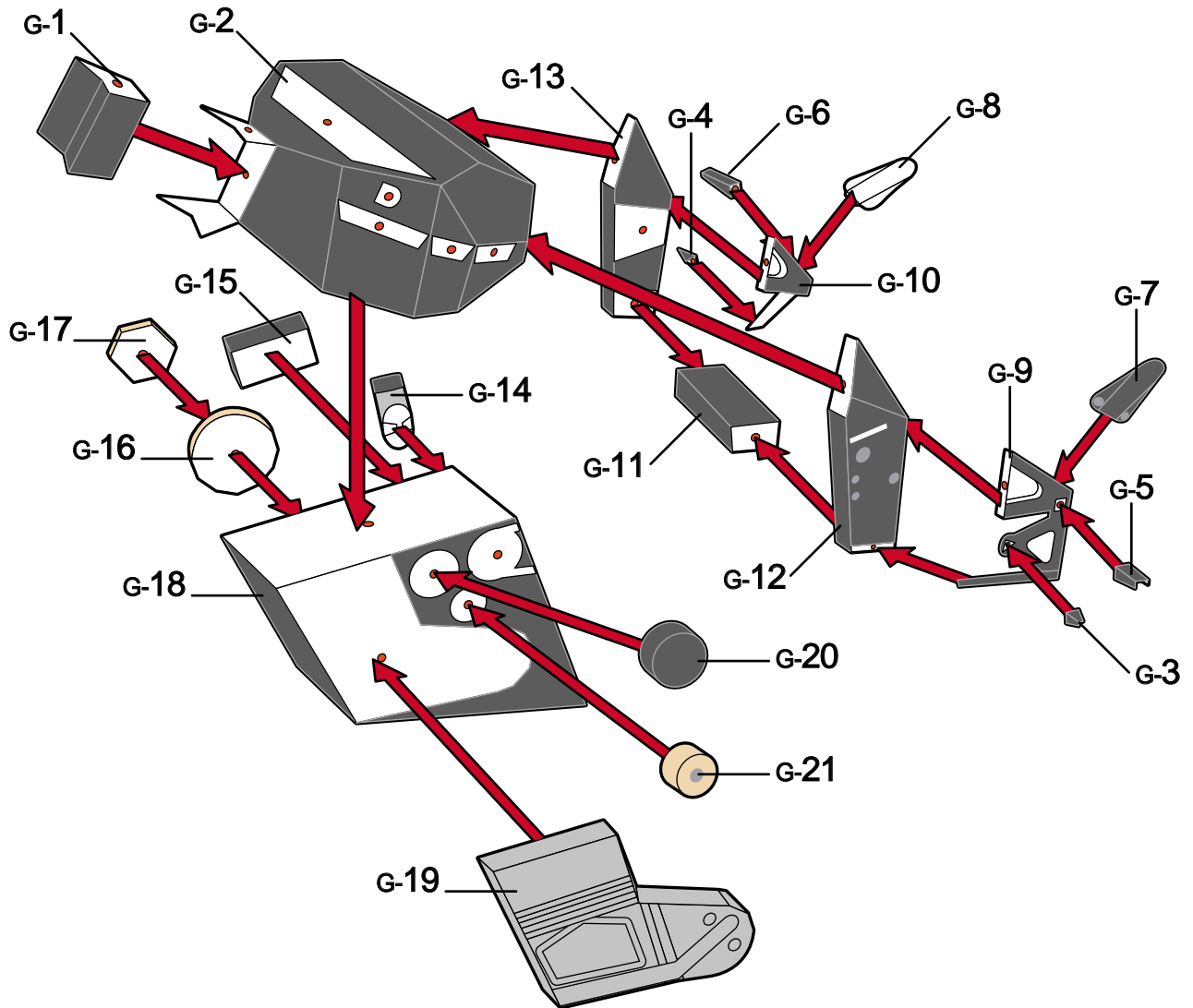
Glue

## Frame

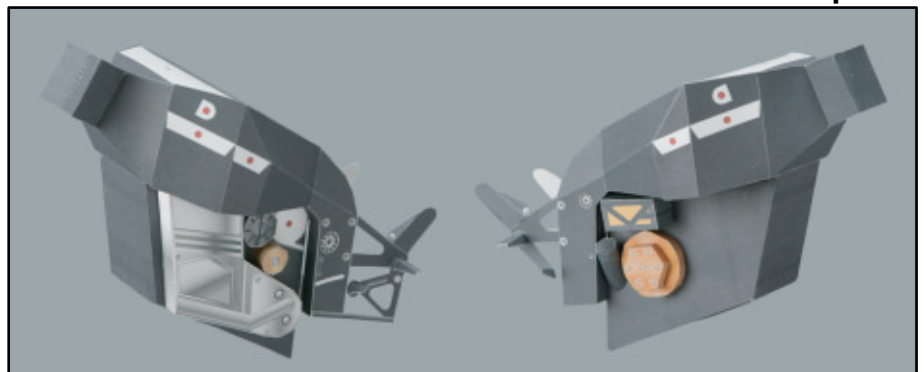
Sheet G, 21 parts in total

Fold each relevant part according to the assembly symbols.

Please use the ● dots on each component as reference when gluing surfaces.



Reference photo





# 7 Assembling the Rear Arm

First, assemble each component by following the working method and markings. Then, refer to the illustration and photos below to glue the parts together.

Indication of Working Methods



Fold or Curve



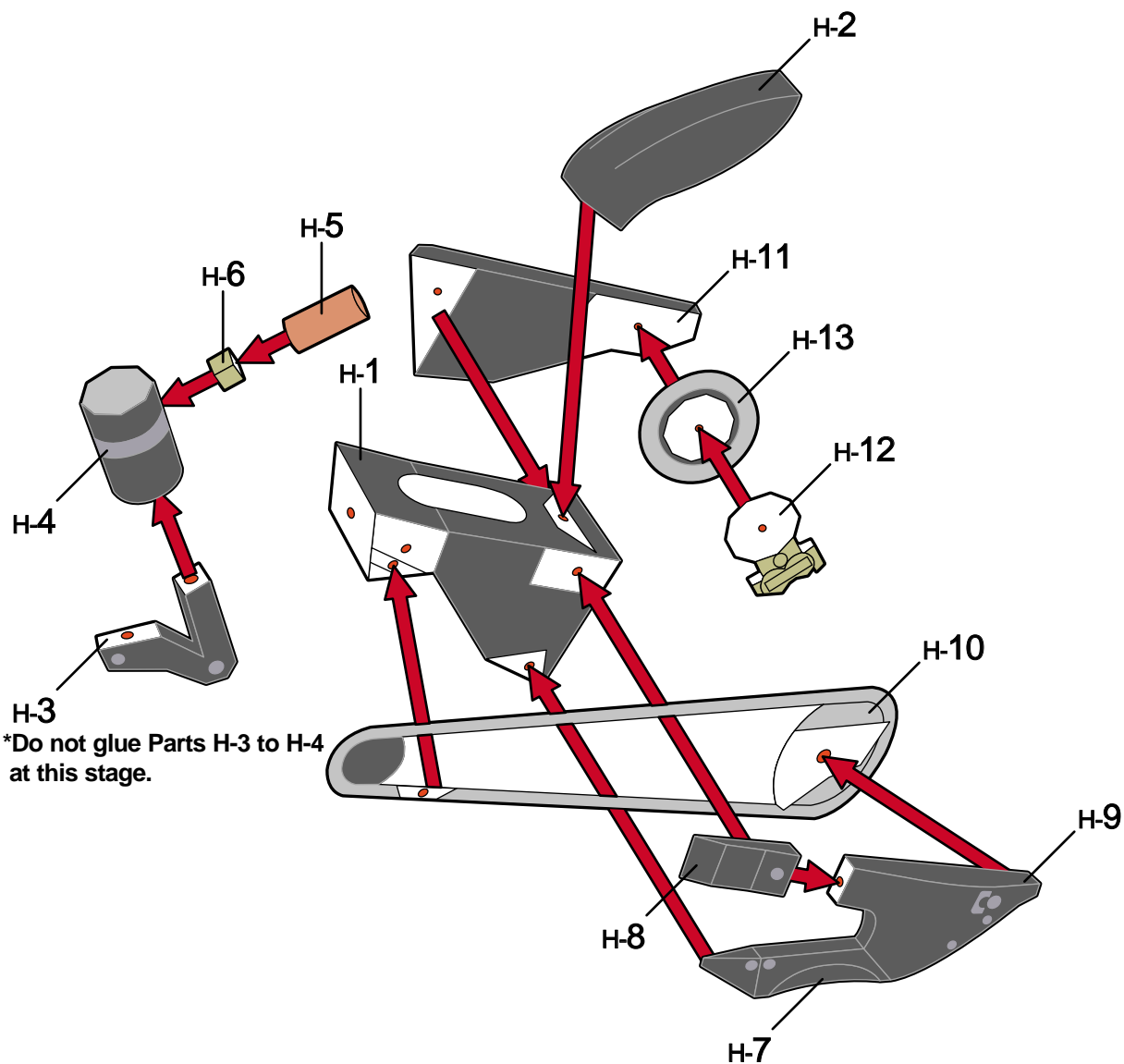
Glue

## Rear Arm

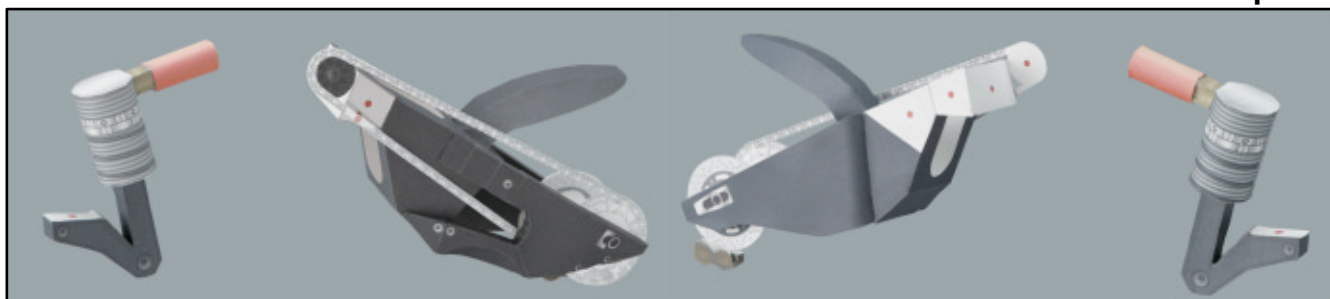
Sheet H, 13 parts in total

Fold each relevant part according to the assembly symbols.

Please use the ● dots on each component as reference when gluing surfaces.



Reference photo



# 8 Assembling the Front Tire

First, assemble each component by following the working method and markings. Then, refer to the illustration and photos below to glue the parts together.

Indication of Working Methods



Fold or Curve



Glue

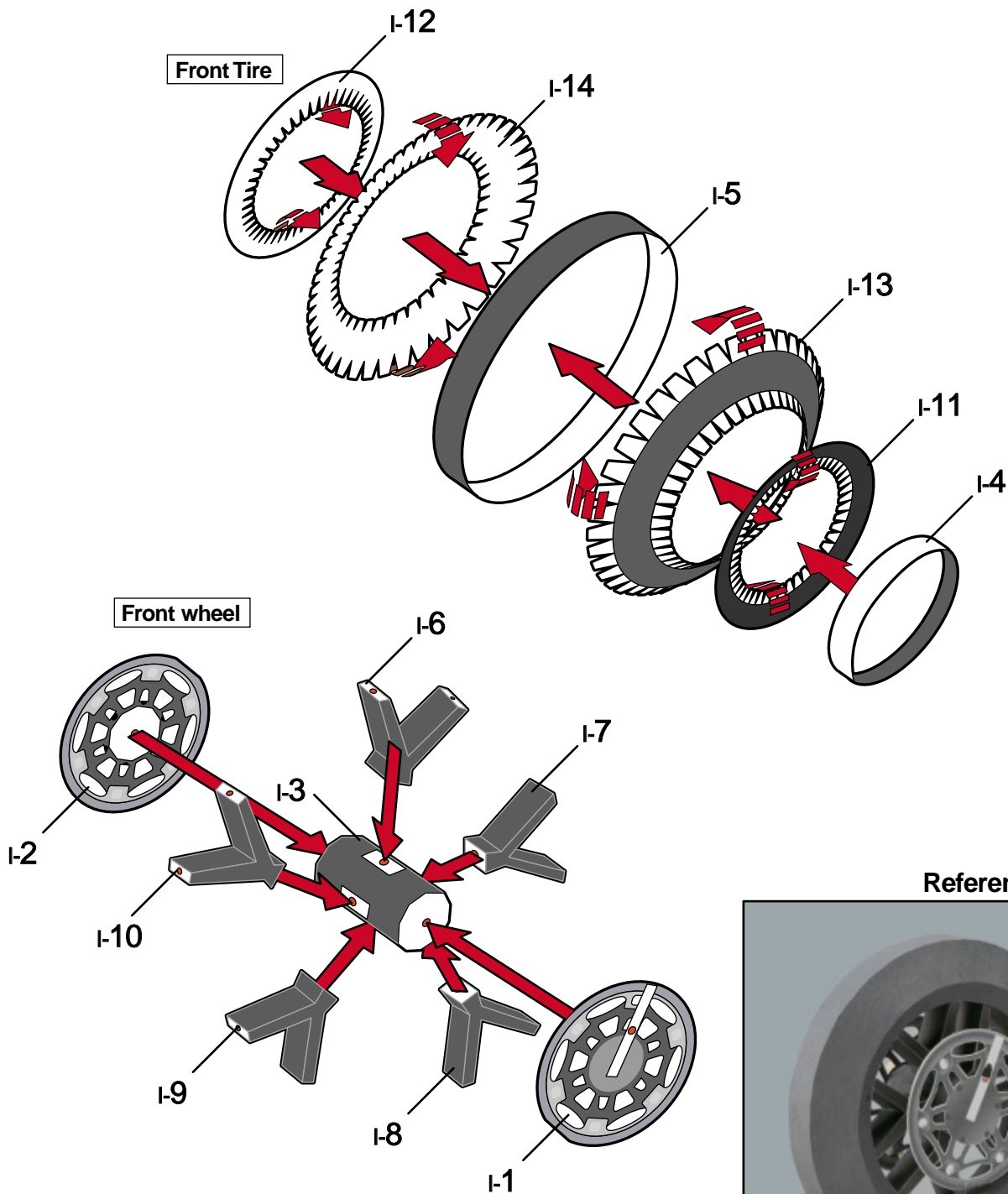
## Front Tire

Sheet 1, 14 parts in total

Fold each relevant part according to the assembly symbols.

Please use the ● dots on each component as reference when gluing surfaces.

\*Glue the completed front wheel to the assembled front tire.



# 9 Assembling the Rear Tire

First, assemble each component by following the working method and markings. Then, refer to the illustration and photos below to glue the parts together.

Indication of Working Methods



Fold or Curve



Glue

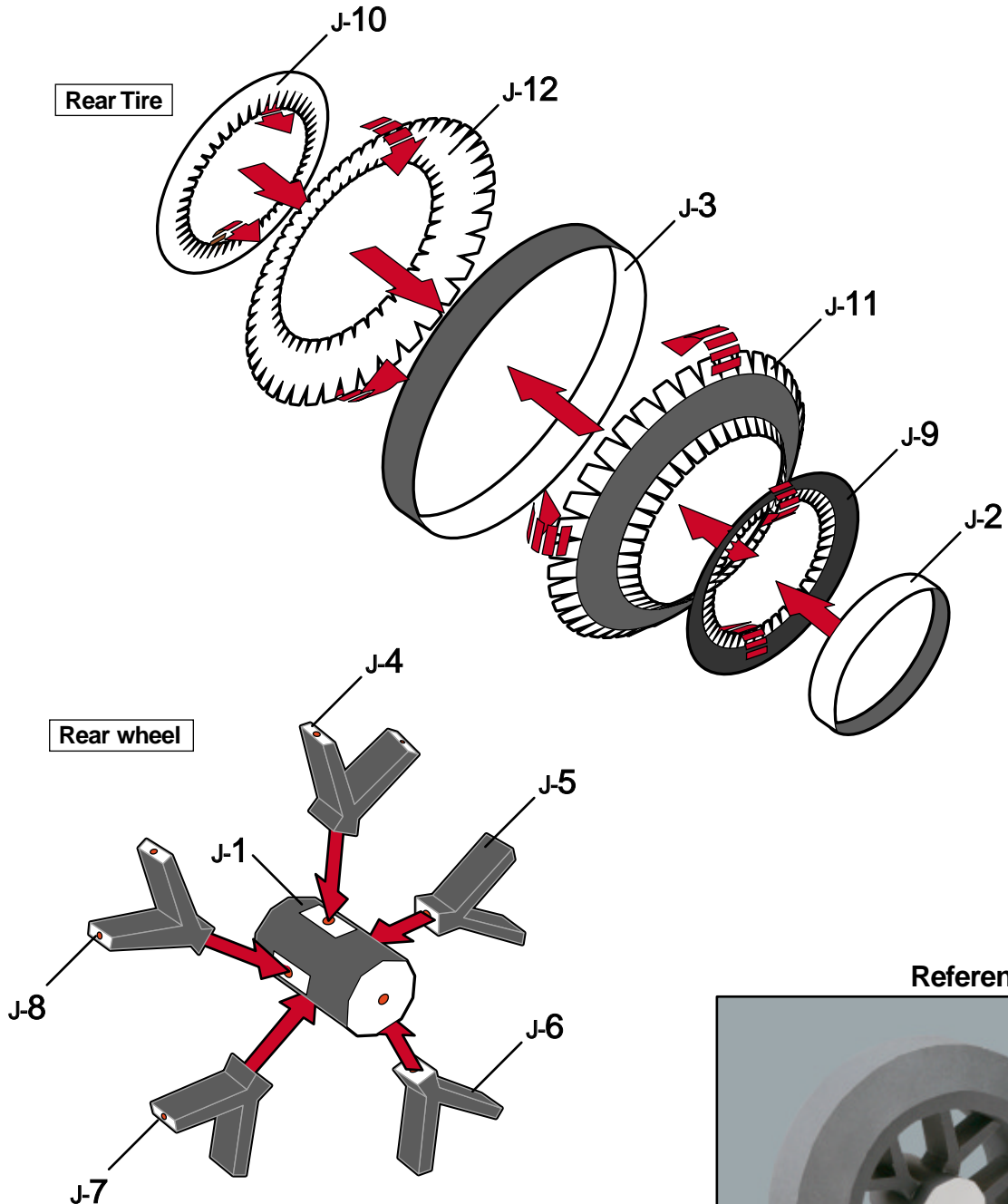
## Rear Tire

Sheet J, 12 parts in total

Fold each relevant part according to the assembly symbols.

Please use the ● dots on each component as reference when gluing surfaces.

\*Glue the completed rear wheel to the assembled rear tire.



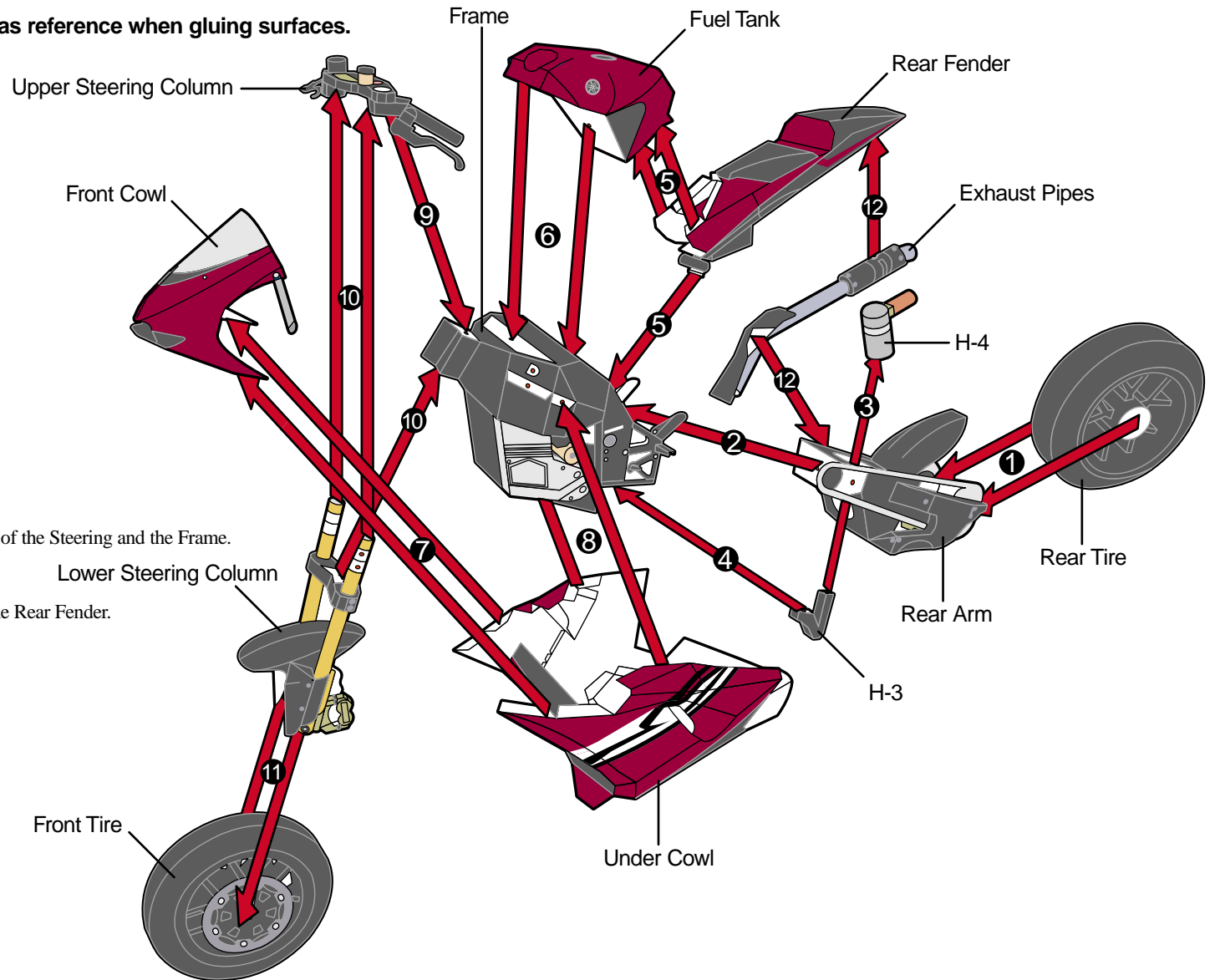
# 10 Finish

Please use the ● dots on each component as reference when gluing surfaces.

## Assembly Instructions

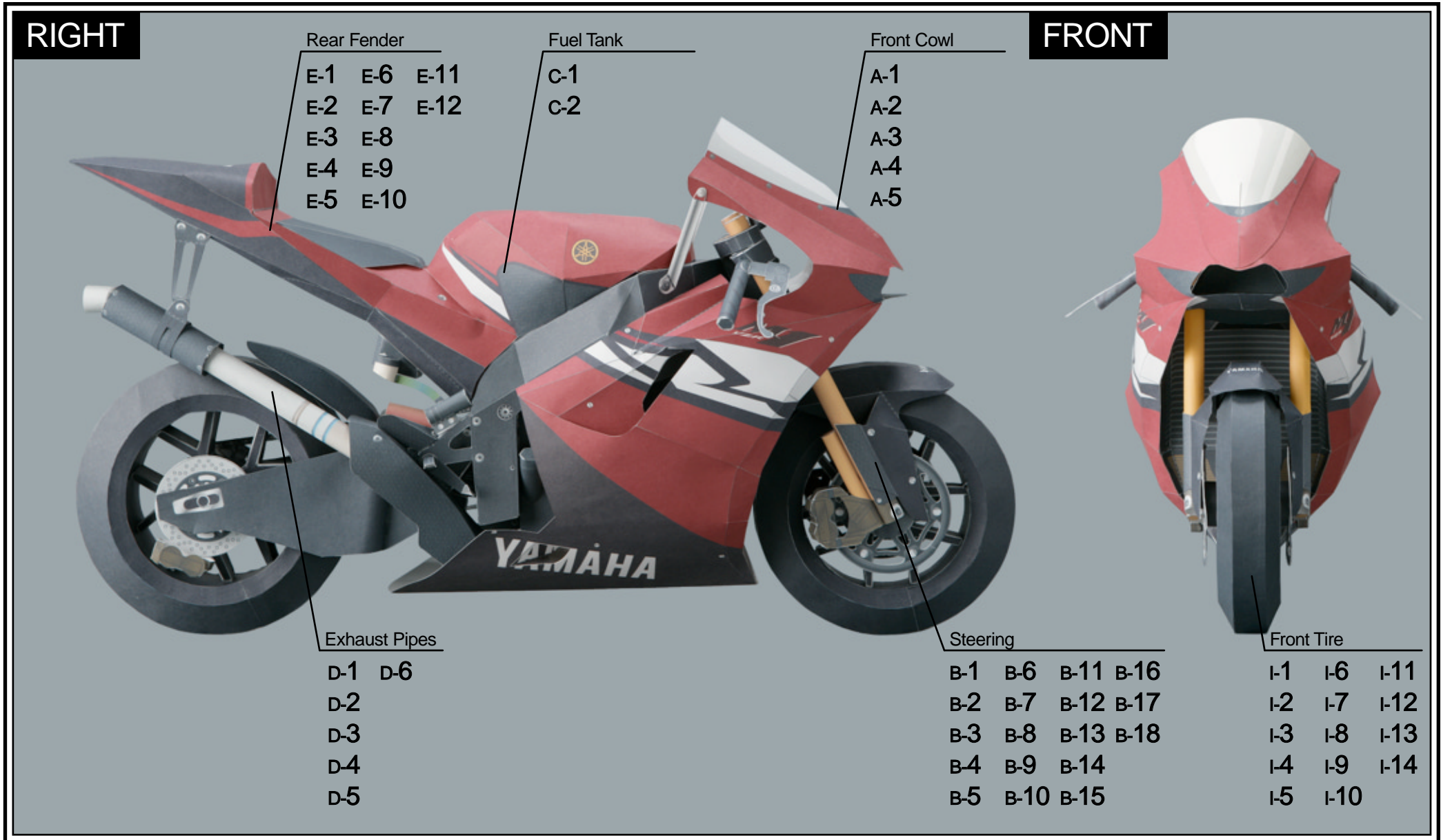
glue the assembled parts in numerical order ❶ through ❷.

- ❶ Glue the Rear Tire to the Rear Arm.
- ❷ Glue the Rear Arm to the Frame.
- ❸ Glue H-3 to H-4.
- ❹ Glue H-3 to the Frame.
- ❺ Glue the Rear Fender to the Fuel Tank.
- ❻ Glue the Fuel Tank to the Frame.
- ❼ Glue the Under Cowl to the Front Cowl.
- ❽ Glue the Under Cowl to the Frame.
- ❾ Glue the upper part of the Steering to the Frame.
- ❿ Glue the lower part of the Steering to the upper part of the Steering and the Frame.
- ⓫ Glue the Front Tire to the lower part of the Steering.
- ⓬ Finish by gluing the Exhaust to the Rear Arm and the Rear Fender.



# 11 Assembled Model and the List of Parts

Please refer to the photo below when attaching each component.



**RIGHT**

- Rear Fender
- E-1 E-6 E-11
  - E-2 E-7 E-12
  - E-3 E-8
  - E-4 E-9
  - E-5 E-10

- Fuel Tank
- C-1
  - C-2

- Front Cowl
- A-1
  - A-2
  - A-3
  - A-4
  - A-5

**FRONT**

- Exhaust Pipes
- D-1 D-6
  - D-2
  - D-3
  - D-4
  - D-5

- Steering
- B-1 B-6 B-11 B-16
  - B-2 B-7 B-12 B-17
  - B-3 B-8 B-13 B-18
  - B-4 B-9 B-14
  - B-5 B-10 B-15

- Front Tire
- I-1 I-6 I-11
  - I-2 I-7 I-12
  - I-3 I-8 I-13
  - I-4 I-9 I-14
  - I-5 I-10

# 12 Assembled Model and the List of Parts

Please refer to the photo below when attaching each component.

**LEFT**

**REAR**

Frame

G-1 G-6 G-11 G-16 G-21  
 G-2 G-7 G-12 G-17  
 G-3 G-8 G-13 G-18  
 G-4 G-9 G-14 G-19  
 G-5 G-10 G-15 G-20

Under Cowl

F-1 F-6  
 F-2 F-7  
 F-3 F-8  
 F-4 F-9  
 F-5 F-10

Rear Arm

H-1 H-6 H-11  
 H-2 H-7 H-12  
 H-3 H-8 H-13  
 H-4 H-9  
 H-5 H-10

Rear Tire

J-1 J-6 J-11  
 J-2 J-7 J-12  
 J-3 J-8  
 J-4 J-9  
 J-5 J-10