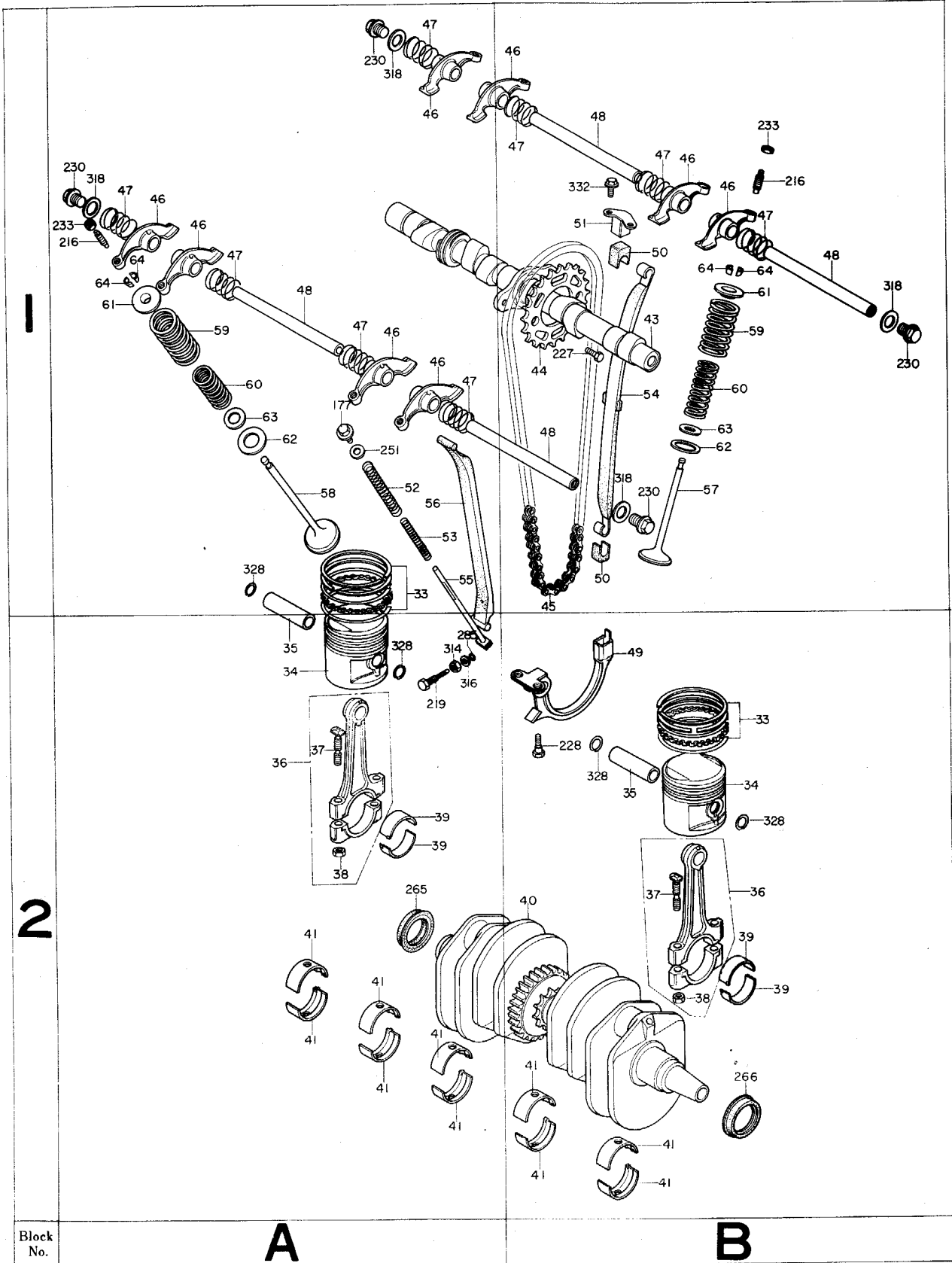


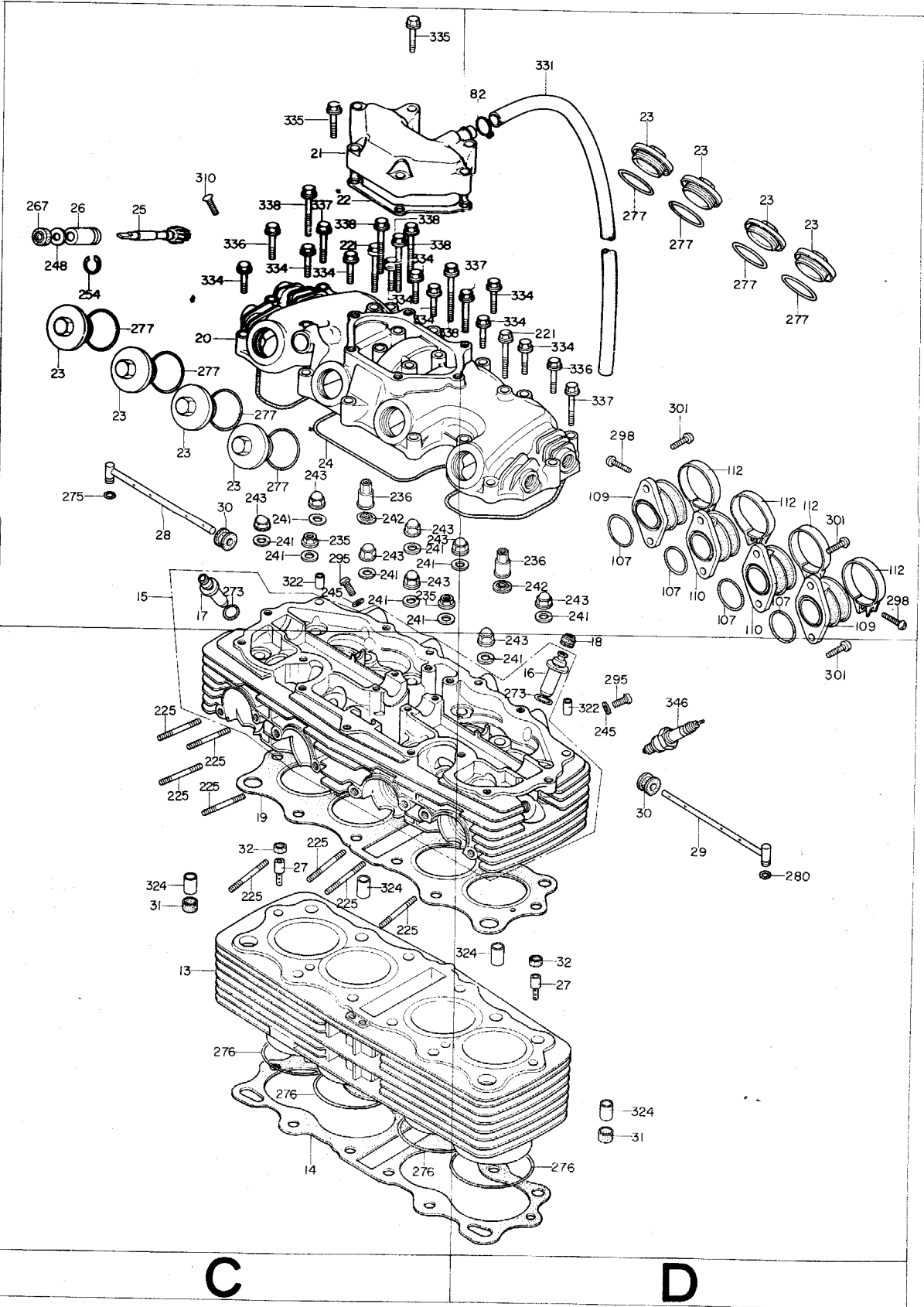
ENGINE GROUP



Block No.

A

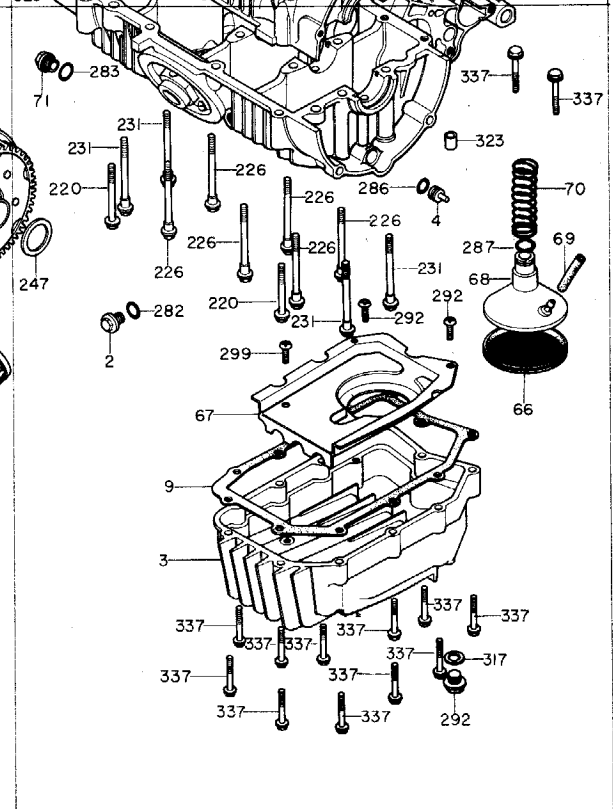
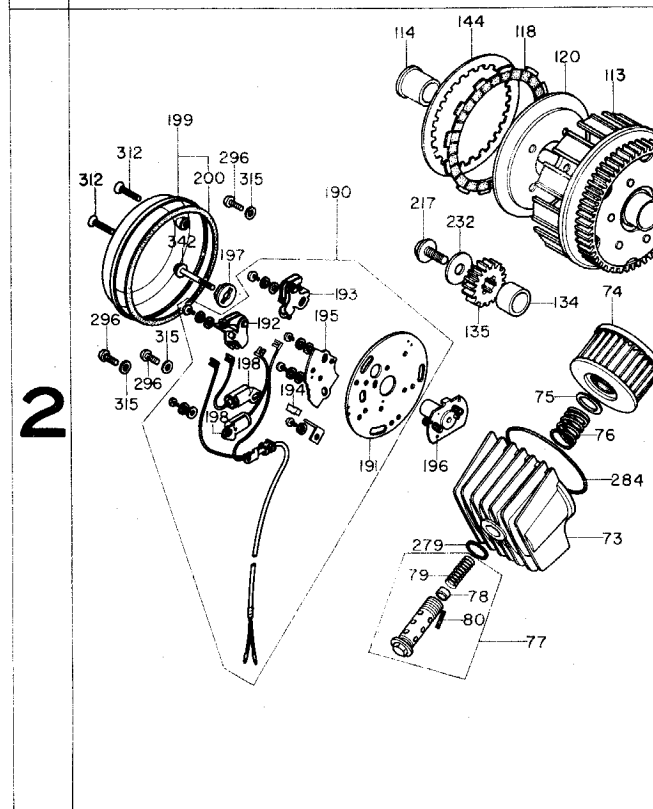
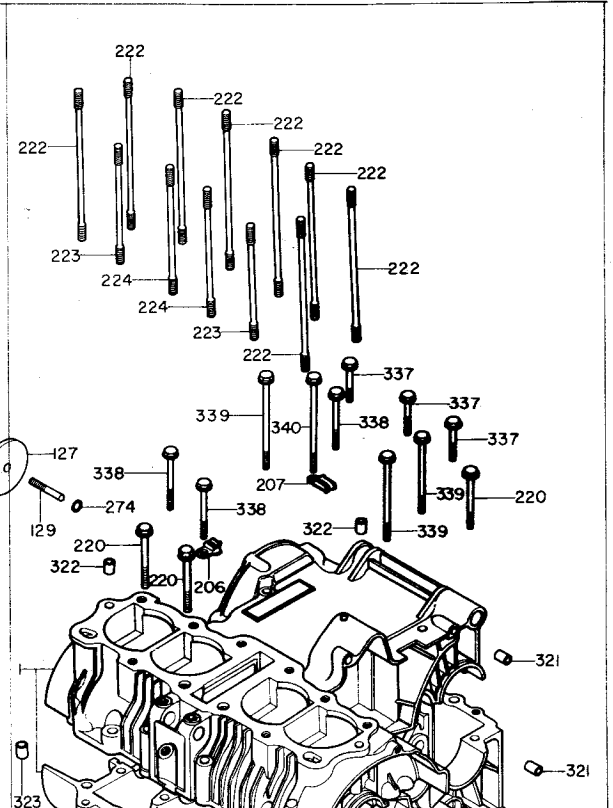
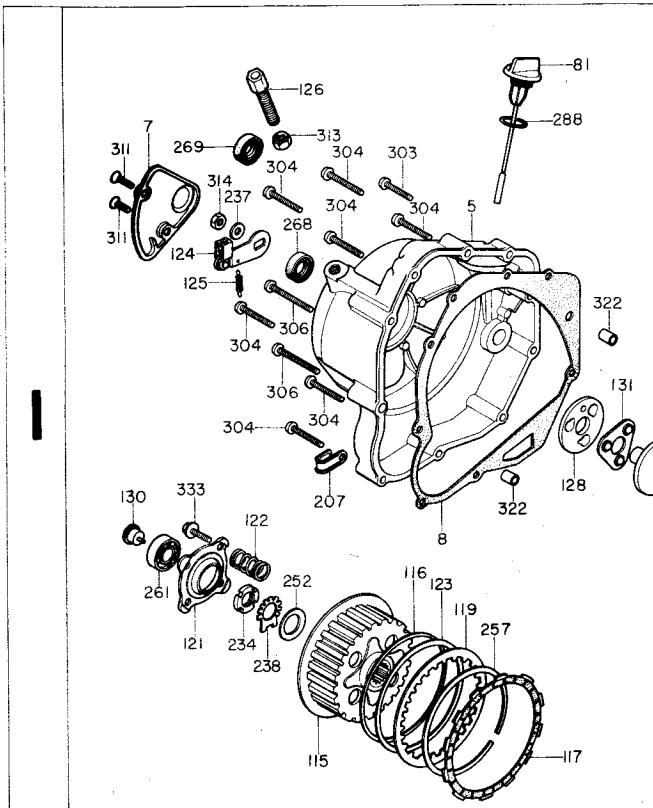
B



C

D

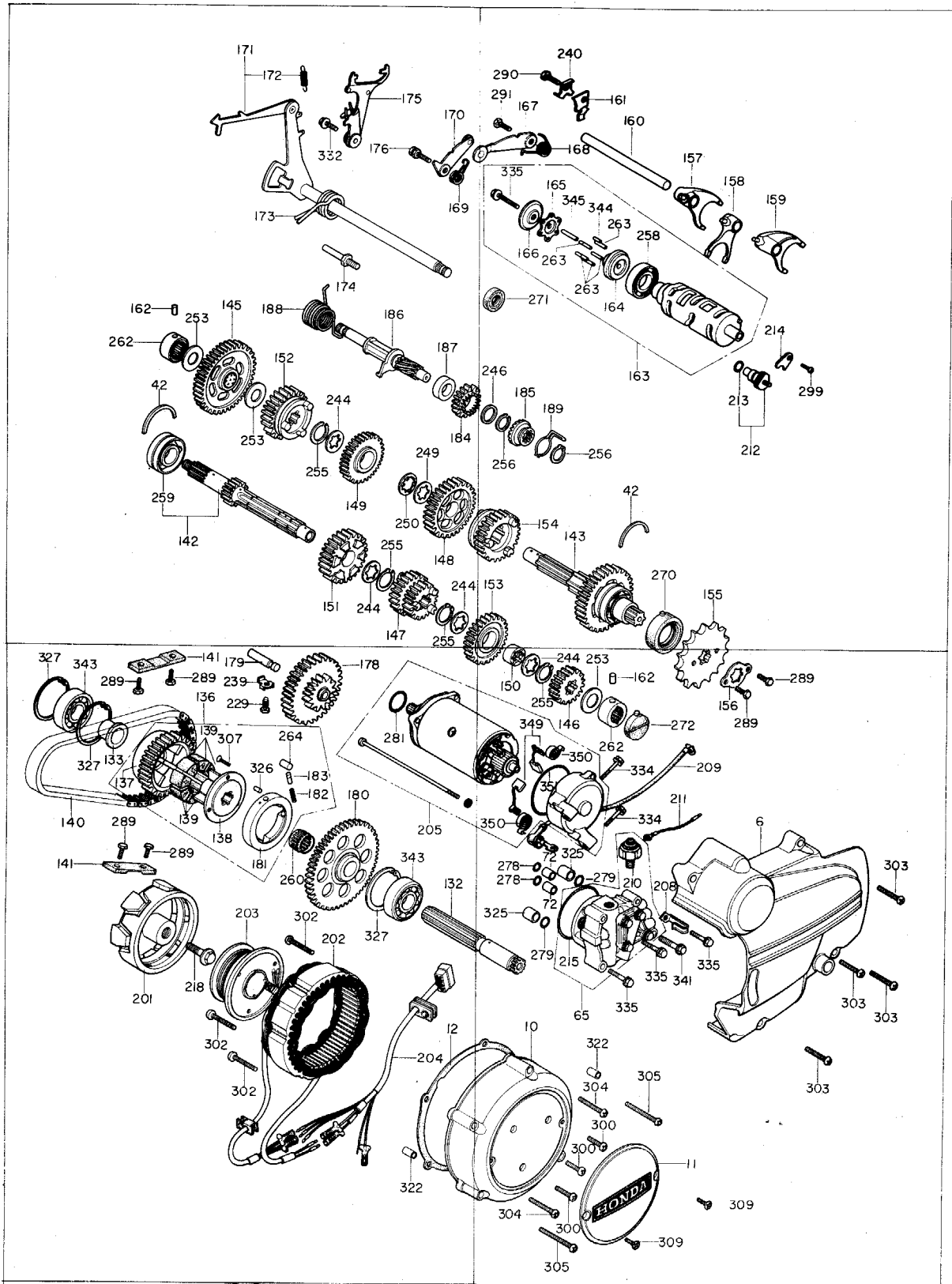
ENGINE GROUP



Block No.

E

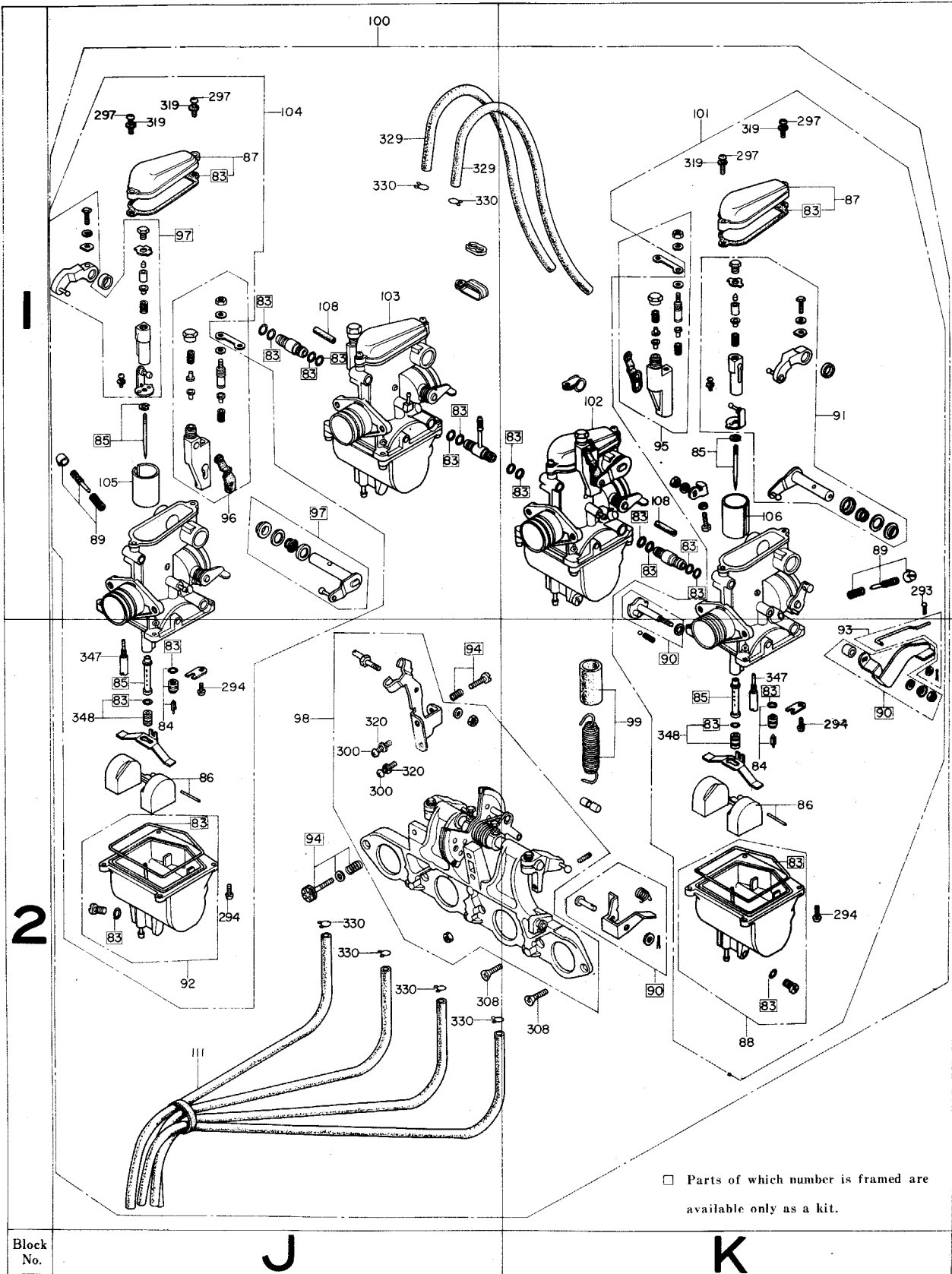
F



G

H

ENGINE GROUP



□ Parts of which number is framed are available only as a kit.

Block No.

J

K

Block No.	Ref. No.	Part No.	Description	Reqd. No. CB400F	Remarks
	1F	1	11000-377-000	CRANKCASE ASSY.	1
	2F	2	11208-333-000	CAP, OIL PATH	1
	2F	3	11210-377-000	PAN, OIL	1
✓	2F	4	11291-333-000	PLUG, OIL PATH	1
	1E	5	11331-377-000	COVER, RIGHT CRANKCASE	1
	2H	6	11341-377-000	COVER, LEFT CRANKCASE	1
	1E	7	11348-377-000	COVER, CLUTCH ADJUST	1
✓	1E	8	11394-377-000	PACKING, RIGHT CRANKCASE COVER	1
	2F	9	11398-333-020	GASKET, OIL PAN	1
	2H	10	11631-377-000	COVER A, DYNAMO	1
	2H	11	11632-333-010	COVER B, DYNAMO	1
	2G	12	11691-333-000	GASKET, DYNAMO COVER	1
	2C	13	12100-377-000	CYLINDER COMP.	1
	2C	14	12191-377-000	PACKING, CYLINDER	1
	2C	15	12200-377-000	HEAD COMP., CYLINDER	1
	2D	16	12202-333-315	GUIDE, INLET VALVE	4
	1C	17	12203-333-335	GUIDE, EXHAUST VALVE	4
	2D	18	12209-333-005	SEAL, VALVE STEM	4
✓	2C	19	12251-377-000	GASKET, CYLINDER HEAD	1
	1C	20	12310-333-020	COVER, CYLINDER HEAD	1
8	1C	21	12320-333-020	COVER COMP., BREATHER	1
	1C	22	12329-333-010	GASKET, BREATHER COVER	1
	1C	23	12361-300-000	CAP, TAPPET ADJUSTING HOLE	8
✓	1C	24	12391-333-000	GASKET, CYLINDER HEAD COVER	1
	1C	25	12431-333-010	GEAR, TACHOMETER	1
	1C	26	12435-377-000	COLLAR, TACHOMETER GEAR	1
	2C	27	12901-333-000	VALVE, OIL CONTROL ORIFICE	2
	1C	28	12903-333-000	PIPE COMP., RIGHT OIL	1
	1C	29	12904-333-000	PIPE COMP., LEFT OIL	1
	1C	30	12905-333-000	HOLDER, OIL PIPE	2

Block No.	Ref. No.	Part No.	Description	Reqd. No. CB400F	Remarks
20	31	12909-333-000	GASKET, CYLINDER STUD	2	
20	32	12910-333-000	GASKET, ORIFICE VALVE	2	
1A	33	13011-377-003	RING SET, PISTON (STD.) (NIPPON)	4	
		13011-377-004	RING SET, PISTON (STD.) (RIKEN)	4	
		13011-377-005	RING SET, PISTON (STD.) (TEIKOKU)	4	
		13021-377-003	RING SET, PISTON (0.25) (OPTIONAL PART) (NIPPON)	4	
		13021-377-004	RING SET, PISTON (0.25) (RIKEN) (OPTIONAL PART)	4	
		13021-377-005	RING SET, PISTON (0.25) (OPTIONAL PART) (TEIKOKU)	4	
		13031-377-003	RING SET, PISTON (0.50) (OPTIONAL PART) (NIPPON)	4	
		13031-377-004	RING SET, PISTON (0.50) (RIKEN) (OPTIONAL PART)	4	
		13031-377-005	RING SET, PISTON (0.50) (OPTIONAL PART) (TEIKOKU)	4	
		13041-377-003	RING SET, PISTON (0.75) (OPTIONAL PART) (NIPPON)	4	
		13041-377-004	RING SET, PISTON (0.75) (RIKEN) (OPTIONAL PART)	4	
		13041-377-005	RING SET, PISTON (0.75) (OPTIONAL PART) (TEIKOKU)	4	
		13051-377-003	RING SET, PISTON (1.00) (OPTIONAL PART) (NIPPON)	4	
		13051-377-004	RING SET, PISTON (1.00) (RIKEN) (OPTIONAL PART)	4	
		13051-377-005	RING SET, PISTON (1.00) (OPTIONAL PART) (TEIKOKU)	4	
2A	34	13101-377-000	PISTON (STD.)	4	
		13102-377-000	PISTON (0.25) (OPTIONAL PART)	4	
		13103-377-000	PISTON (0.50) (OPTIONAL PART)	4	
		13104-377-000	PISTON (0.75) (OPTIONAL PART)	4	
		13105-377-000	PISTON (1.00) (OPTIONAL PART)	4	
2A	35	13111-087-000	PIN, PISTON	4	

Block No.	Ref. No.	Part No.	Description	Reqd. No. CB400F	Remarks
2A	36	13210-333-002	ROD COMP.B, CONNECTING 13210-333-003	4	
		13210-333-003	ROD COMP.C, CONNECTING	4	
		13210-333-004	ROD COMP.D, CONNECTING	4	
		13210-333-005	ROD COMP.E, CONNECTING 13210-333-004	4	
2A	37	13213-333-003	BOLT, CONNECTING ROD (TOKAI)	8	
2A	38	13214-300-000	NUT, CONNECTING ROD	8	
2A	39	13215-333-003	BEARING A, CONNECTING ROD (DAIDO)	8	
		13216-333-003	BEARING B, CONNECTING ROD (DAIDO)	8	
		13217-333-003	BEARING C, CONNECTING ROD (DAIDO)	8	
		13218-333-003	BEARING D, CONNECTING ROD (DAIDO)	8	
		13219-333-003	BEARING E, CONNECTING ROD (DAIDO)	8	

Selection table of connecting rod big end bearing

Crank pin allowance		A	$32\phi \begin{smallmatrix} +0 \\ -0.010 \end{smallmatrix}$	B	$32\phi \begin{smallmatrix} -0.010 \\ -0.020 \end{smallmatrix}$	C	$32\phi \begin{smallmatrix} -0.020 \\ -0.030 \end{smallmatrix}$
		Bearing mark (color)	Clearance (μ)	Bearing mark (color)	Clearance (μ)	Bearing mark (color)	Clearance (μ)
1	$35\phi \begin{smallmatrix} +0.008 \\ -0 \end{smallmatrix}$	E (RED)	18~44	D (YELLOW)	20~46	C (GREEN)	22~48
2	$35\phi \begin{smallmatrix} +0.015 \\ +0.008 \end{smallmatrix}$	D (YELLOW)	18~44	C (GREEN)	20~46	B (BROWN)	22~48
3	$35\phi \begin{smallmatrix} +0.024 \\ +0.016 \end{smallmatrix}$	C (GREEN)	18~44	B (BROWN)	20~46	A (BLACK)	22~48

2B	40	13300-333-010	CRANKSHAFT COMP.	1	
2A	41	13314-333-003	BEARING A, CRANKSHAFT (DAIDO)	10	
		13315-333-003	BEARING A, CRANKSHAFT (DAIDO)	10	
		13316-333-003	BEARING B, CRANKSHAFT (DAIDO)	10	
		13317-333-003	BEARING C, CRANKSHAFT (DAIDO)	10	
		13318-333-003	BEARING D, CRANKSHAFT (DAIDO)	10	
		13319-333-003	BEARING E, CRANKSHAFT (DAIDO)	10	

Selection table of crankshaft journal main bearing

Crankshaft journal allowance		1	$32\phi \begin{smallmatrix} +0 \\ -0.010 \end{smallmatrix}$	2	$32\phi \begin{smallmatrix} -0.010 \\ -0.020 \end{smallmatrix}$	3	$32\phi \begin{smallmatrix} -0.020 \\ -0.030 \end{smallmatrix}$
		Bearing mark (color)	Clearance (μ)	Bearing mark (color)	Clearance (μ)	Bearing mark (color)	Clearance (μ)
A	$35\phi \begin{smallmatrix} +0.008 \\ -0 \end{smallmatrix}$	D (YELLOW)	20~46	C (GREEN)	22~48	B (BROWN)	24~50
B	$35\phi \begin{smallmatrix} +0.015 \\ +0.008 \end{smallmatrix}$	C (GREEN)	20~46	B (BROWN)	22~48	A (BLACK)	24~50
C	$35\phi \begin{smallmatrix} +0.024 \\ +0.016 \end{smallmatrix}$	B (BROWN)	20~46	A (BLACK)	22~48	AA (BLUE)	24~50

1G	42	13492-203-000	RING, BEARING SET, 52MM	2	
1B	43	14101-333-020	CAMSHAFT	1	
1B	44	14321-377-000	SPROCKET, CAM (32T)	1	
1B	45	14401-333-003	CHAIN, CAM	1	

Block No.	Ref. No.	Part No.	Description	Reqd. No. CB400F	Remarks
1A	46	14431-333-000	ARM, VALVE ROCKER	8	
1A	47	14435-333-000	SPRING, ROCKER ARM SIDE	8	
1A	48	14451-333-000	SHAFT, VALVE ROCKER ARM	4	
2B	49	14500-333-020	ARM COMP., CAM CHAIN TENSIONER	1	
1B	50	14501-323-000	DAMPER, CAM CHAIN TENSIONER	2	
1B	51	14530-333-000	HOLDER COMP., CAM CHAIN TENSIONER	1	
1A	52	14541-333-020	SPRING, CAM CHAIN TENSIONER OUTER	1	
1A	53	14543-333-000	SPRING, CAM CHAIN TENSIONER INNER	1	
1B	54	14545-333-000	SLIPPER, CAM CHAIN TENSIONER	1	
1A	55	14550-333-000	BAR COMP., CAM CHAIN TENSIONER PUSH	1	
1A	56	14620-333-000	GUIDE, CAM CHAIN	1	
1B	57	14711-377-000	VALVE, INLET	4	
1A	58	14721-377-000	VALVE, EXHAUST	4	
1A	59	14751-333-010	SPRING, VALVE (OUTER)	8	
1A	60	14761-333-010	SPRING, VALVE (INNER)	8	
1A	61	14771-107-020	RETAINER, VALVE SPRING	8	
1A	62	14775-107-000	SEAT, VALVE SPRING OUTER	8	
1A	63	14776-107-010	SEAT, VALVE SPRING INNER	8	
1A	64	14781-107-020	COTTER, VALVE	16	
2H	65	15100-333-010	PUMP ASSY., OIL	1	
2F	66	15151-333-000	SCREEN, OIL STRAINER	1	
2F	67	15152-333-000	PLATE, OIL SEPARATOR	1	
2F	68	15153-333-000	BODY, OIL SCREEN	1	
2F	69	15155-333-000	PIPE, MISSION OIL	1	
2F	70	15157-333-000	SPRING, OIL SCREEN SETTING	1	
2F	71	15332-300-000	CAP B, OIL PATH	1	
2H	72	15391-333-000	COLLAR, O-RING GUIDE	2	
2E	73	15411-300-010	CASE, OIL FILTER	1	
2E	74	15412-300-024	ELEMENT, OIL FILTER (TOKYO ROKI)	1	
2E	75	15414-300-000	SEAT, OIL FILTER SPRING	1	

Block No.	Ref. No.	Part No.	Description	Reqd. No. CB400F	Remarks
2E	76	15415-300-000	SPRING, OIL FILTER ELEMENT SET	1	
2E	77	15420-300-020	BOLT COMP., OIL FILTER CENTER	1	
2E	78	15473-300-300	VALVE, CHECK	1	
2E	79	15474-300-310	SPRING, CHECK VALVE	1	
2E	80	15477-300-300	PIN, SPRING SET	1	
1E	81	15650-333-000	GAUGE, OIL LEVEL	1	
1D	82	15772-292-010	CLIP, BREATHER TUBE	1	
1J	83	16010-333-004	GASKET SET	4	
2J	84	16011-329-004	VALVE SET, FLOAT	4	
1J	85	16012-377-004	NEEDLE SET, JET (KEIHIN)	4	
2J	86	16013-333-004	FLOAT SET	4	
1J	87	16014-333-004	TOP SET	4	
2K	88	16015-333-004	CHAMBER SET A, FLOAT	2	
1J	89	16016-377-004	SCREW SET A (KEIHIN)	4	
2K	90	16017-333-004	LINK SET	1	
1K	91	16018-333-004	ARM SET, LINK	2	
2J	92	16023-333-004	CHAMBER SET B, FLOAT	2	
2K	93	16025-333-004	ROD SET, CHOKE	1	
2J	94	16028-333-004	SCREW SET B	1	
1K	95	16029-323-004	HOLDER SET A, ADJUST	2	
1J	96	16030-323-004	HOLDER SET B, ADJUST	2	
1J	97	16031-333-004	ARM SET B, LINK	2	
2J	98	16035-333-004	PLATE SET, STAY	1	
2K	99	16036-323-004	TUBE SET, PROTECT	1	
1J	100	16100-377-004	CARBURETOR ASSY. (KEIHIN)	1	
1K	101	16101-377-004	CARBURETOR ASSY. 1 (KEIHIN)	1	
1K	102	16102-377-004	CARBURETOR ASSY. 2 (KEIHIN)	1	
1J	103	16103-377-004	CARBURETOR ASSY. 3 (KEIHIN)	1	
1J	104	16104-377-004	CARBURETOR ASSY. 4 (KEIHIN)	1	
1J	105	16111-333-004	VALVE A, THROTTLE	2	

ENGINE GROUP

REF.NO. 106~135

Block No.	Ref. No.	Part No.	Description	Reqd. No. CB400F	Remarks
1K	106	16112-333-004	VALVE B; THROTTLE	2	
1D	107	16173-253-004	O-RING; 27X2.4	4	
1J	108	16199-333-004	TUBE; FUEL; 2.5X16	2	
1D	109	16212-333-030	INSULATOR A; CARBURETOR	2	
1D	110	16213-333-030	INSULATOR B; CARBURETOR	2	
2J	111	16290-333-000	TUBE; OVER FLOW	1	
1D	112	17255-246-000	BAND; CLEANER CONNECTING TUBE	4	
2E	113	22100-377-000	OUTER COMP.; CLUTCH	1	
2E	114	22116-333-020	COLLAR; 25MM	1	
1E	115	22120-377-000	CENTER COMP.; CLUTCH	1	
1E	116	22125-333-000	SEAT; DISK SPRING	1	
1E	117	22201-302-000	DISK; CLUTCH FRICTION	1	
2E	118	22201-377-000	DISK; CLUTCH FRICTION	6	
1E	119	22321-333-010	PLATE B; CLUTCH	1	
2E	120	22350-333-010	PLATE; CLUTCH PRESSURE	1	
1E	121	22361-377-000	PLATE; CLUTCH LIFTER	1	
1E	122	22401-369-000	SPRING; CLUTCH	4	
1E	123	22402-333-003	DISK; CLUTCH SPRING	1	
1E	124	22810-377-000	LEVER COMP.; CLUTCH	1	
1E	125	22815-300-000	SPRING; CLUTCH LEVER	1	
1E	126	22818-354-000	BOLT; ADJUST; A10X44	1	
1F	127	22820-300-000	SHAFT; CLUTCH RELIESE	1	
1E	128	22830-300-000	CAM COMP.; CLUTCH LIFTER	1	
1F	129	22841-300-000	BOLT; CLUTCH ADJUSTING	1	
1E	130	22846-300-000	PIECE; CLUTCH LIFTER	1	
1E	131	22860-300-006	RETAINER COMP.; CLUTCH BALL	1	
2G	132	23101-377-000	SHAFT; PRIMARY	1	
2G	133	23102-377-000	COLLAR; 25X31.8	1	
2E	134	23104-377-000	COLLAR; 25X16.5	1	
2E	135	23108-333-020	GEAR; SECONDARY DRIVE (23T)	1	

Block No.	Ref. No.	Part No.	Description	Reqd. No. CB400F	Remarks
2G	136	23110-377-000	SPROCKET COMP., PRIMARY DRIVEN	1	
2G	137	23111-333-000	SPROCKET, PRIMARY DRIVEN	1	
2G	138	23112-333-000	HUB, DRIVEN SPROCKET	1	
2G	139	23114-323-000	RUBBER, DAMPER	8	
2G	140	23131-323-000	CHAIN, PRIMARY DRIVE	1	
2G	141	23132-333-010	GUIDE, PRIMARY CHAIN	2	
1G	142	23210-377-000	MAINSHAFT COMP. (24T)	1	
1H	143	23220-377-000	COUNTERSHAFT COMP. (36T)	1	
2E	144	23311-200-000	PLATE A, CLUTCH	6	
1G	145	23420-377-000	GEAR COMP., COUNTERSHAFT LOW (41T)	1	
2H	146	23431-369-000	GEAR, MAIN SHAFT SECOND (20T)	1	
1G	147	23451-369-000	GEAR, MAIN SHAFT THIRD FOURTH (24T, 27T)	1	
1G	148	23461-377-010	GEAR, COUNTERSHAFT THIRD (33T)	1	
1G	149	23481-377-010	GEAR, COUNTERSHAFT FOURTH (30T)	1	
2H	150	23485-369-000	BUSH, SPLINE, 28MM	1	
1G	151	23491-369-000	GEAR, MAIN SHAFT FIFTH (29T)	1	
1G	152	23501-377-010	GEAR, COUNTERSHAFT FIFTH (28T)	1	
1H	153	23511-377-000	GEAR, MAINSHAFT TOP (30T)	1	
1H	154	23521-377-010	GEAR, COUNTERSHAFT TOP (26T)	1	
1H	155	23801-333-000	SPROCKET, DRIVE (17T)	1	
2H	156	23811-292-000	PLATE, DRIVE SPROCKET FIXING	1	
1H	157	24211-377-010	FORK, RIGHT GEAR SHIFT	1	
1H	158	24216-333-020	FORK, CENTER GEAR SHIFT	1	
1H	159	24221-377-000	FORK, LEFT GEAR SHIFT	1	
1H	160	24226-377-000	SHAFT, SHIFT FORK GUIDE	1	
1H	161	24231-333-010	PLATE, GUIDE SHAFT SFT	1	
1G	162	24261-283-000	PIN, GEAR SHIFT FORK GUIDE	2	
1H	163	24300-377-000	DRUM ASSY., GEAR SHIFT	1	
1H	164	24304-377-000	CENTER, GEAR SHIFT DRUM	1	
1H	165	24321-377-000	PLATE, DRUM STOPPER	1	

ENGINE GROUP

REF.NO. 166~190

Block No.	Ref. No.	Part No.	Description	Repl. No. CB400F	Remarks
1H	166	24326-300-000	PLATE, GEAR SHIFT SIDE	1	
1H	167	24430-377-000	STOPPER COMP., GEAR SHIFT DRUM	1	
1H	168	24435-333-000	SPRING, SHIFT DRUM STOPPER	1	
1G	169	24436-333-010	SPRING, NEUTRAL STOPPER	1	
1G	170	24440-333-000	ARM COMP., NEUTRAL STOPPER	1	
1G	171	24610-377-000	SPINDLE COMP., GEAR SHIFT	1	
1G	172	24641-216-000	SPRING, GEAR SHIFT ARM	1	
1G	173	24651-333-000	SPRING, GEAR SHIFT RETURN	1	
1G	174	24652-035-000	PIN, SHIFT RETURN SPRING	1	
1G	175	24660-377-000	STOPPER COMP., POSITIVE	1	
1G	176	24667-333-020	PIN, RETURN SPRING, 6 MM	1	
1A	177	25911-500-000	BOLT, OIL CHECK	1	
2G	178	28101-377-000	GEAR, STARTER REDUCTION	1	
2G	179	28106-333-000	SHAFT, STARTER REDUCTION GEAR	1	
2G	180	28111-333-310	GEAR, STARTING CLUTCH	1	
2G	181	28120-377-000	OUTER, STARTING CLUTCH	1	
2G	182	28125-253-020	SPRING, STARTING CLUTCH ROLLER	3	
2G	183	28126-253-030	CAP, STARTING CLUTCH ROLLER SPRING	3	
1G	184	28211-333-020	PINION, KICK STARTER	1	
1H	185	28221-333-010	RATCHET, KICK STARTER	1	
1G	186	28251-333-010	SPINDLE, KICK STARTER	1	
1G	187	28259-333-010	COLLAR, KICK SPINDLE	1	
1G	188	28261-333-030	SPRING, KICK STARTER	1	
1H	189	28271-333-000	SPRING, STARTER PINION FRICTION	1	
2B	190	30200-323-154	BREAKER ASSY., CONTACT (TOYO)	1	
		30200-333-004	BREAKER ASSY., CONTACT (ND)	1	

Block No.	Ref. No.	Part No.	Description	Reqd. No. CB400F	Remarks
2E	191	30201-300-154	PLATE, CONTACT BREAKER BASE	1	
		30201-333-004	PLATE, CONTACT BREAKER BASE (ND)	1	
2E	192	30204-300-154	BREAKER, 283 CYLINDER CONTACT	1	
		30203-333-004	BREAKER, RIGHT CONTACT (ND)	1	
2E	193	30203-300-154	BREAKER, 184 CYLINDER CONTACT	1	
		30204-333-004	BREAKER, LEFT CONTACT (ND)	1	
2E	194	30205-300-154	FELT, OIL (TOYO)	1	
		30205-333-004	FELT, OIL (ND)	1	
2E	195	30215-300-154	PLATE, SHIFT BRAKER	1	
		30215-333-004	PLATE, BREAKER SHIFT (ND)	1	
2E	196	30220-333-004	ADVANCER ASSY., SPARK (ND)	1	
		30220-377-154	ADVANCER, SPARK (TOYO)	1	
2E	197	30233-333-000	WASHER, ADVANCER SPECIAL	1	
2E	198	30250-333-004	CONDENSER COMP.	2	
2E	199	30370-323-000	COVER COMP., POINT	1	
2E	200	30372-300-300	GASKET, POINT COVER	1	
2G	201	31101-333-004	ROTOR COMP. (ND)	1	
2G	202	31102-333-004	STATOR COMP. (ND)	1	
2G	203	31103-333-004	COIL COMP., FIELD (ND)	1	
2G	204	31110-333-000	HARNES, A.C. GENERATOR WIRE	1	
2G	205	31200-333-000	MOTOR ASSY., STARTING	1	
1F	206	32111-333-000	CLAMPER A, CORD	1	
1E	207	32112-333-000	CLAMPER B, CORD	2	
2H	208	32113-333-000	CLAMPER C, CORD	1	
2H	209	32410-333-000	CABLE, STARTING MOTOR	1	
2H	210	35500-333-014	SWITCH ASSY., OIL PRESSURE (ND)	1	
2H	211	35510-333-000	CORD, PRESSURE SUB	1	
1H	212	35750-333-023	SWITCH, NEUTRAL (TOYO)	1	
1H	213	35751-333-003	O-RING	1	
1H	214	35755-333-010	PLATE, NEUTRAL SWITCH FIXING	1	
2H	215	41123-516-000	O-RING, 63X2.5	1	

Block Ref. No. No.	Part No.	Description	Reqd. No. CB400F	Remarks
1A 216	90012-333-000	SCREW, TAPPET ADJUSTING	8	
2E 217	90013-333-010	BOLT, U.B.S., 12X30	1	
2G 218	90014-333-000	BOLT, HEX., 10X32	1	
2A 219	90016-286-000	BOLT, TENSIONER SETTING	1	
1F 220	90017-333-000	BOLT, FLANGE, 8X60	5	
1C 221	90018-333-000	BOLT, U.B.S. 6X38	2	
1F 222	90031-377-000	STUD A, CYLINDER, 8X154	8	
1F 223	90032-377-000	STUD B, CYLINDER, 8X122	2	
1F 224	90033-377-000	STUD C, CYLINDER, 10X139	2	
1C 225	90044-377-000	BOLT, STUD, 6X47	8	
2F 226	90045-329-000	BOLT, U.B.S., 8X114	6	
1B 227	90081-246-000	BOLT, HEX., KNOCK, 7X12	2	
1B 228	90081-312-000	BOLT, KNOCK, 6X14	2	
2G 229	90081-512-010	BOLT, STOPPER, 6MM	1	
1A 230	90084-333-000	BOLT, SEALING	4	
2F 231	90086-333-000	BOLT, U.B.S., 8X97	4	
2E 232	90201-333-020	WASHER, PRIMARY SHAFT LOCK	1	
1A 233	90206-001-000	NUT, TAPPET ADJUSTING	8	
1E 234	90231-200-010	NUT, LOCK, 16MM	1	
1C 235	90236-300-000	NUT, 8MM	2	
1C 236	90237-333-000	NUT, SPECIAL, 8MM	2	
1E 237	90402-822-000	WASHER, HEAD, 8MM	1	
1E 238	90431-292-000	WASHER, LOCK, 16MM	1	
2G 239	90433-283-000	WASHER, LOCK, 6MM	1	
1H 240	90435-333-000	WASHER, TONGUED, 8 MM	1	
1C 241	90441-377-000	WASHER, SEALING, 8MM	10	
1C 242	90442-377-000	WASHER, SEAL	2	
1C 243	90443-107-000	NUT, HEX., CAP, 8MM	8	
1G 244	90451-300-000	WASHER, THRUST, 25MM	4	
1C 245	90452-323-000	WASHER, THRUST, 5MM	4	
1H 246	90454-107-000	WASHER B, THRUST, 20 MM	1	
2F 247	90455-333-010	WASHER, THRUST, 25MM	1	
1C 248	90458-324-010	WASHER, THRUST, 6.7MM	1	
1G 249	90461-286-000	WASHER B, THRUST, 25MM	1	
1G 250	90462-323-000	WASHER, LOCK, 25MM	1	

Block No.	Ref. No.	Part No.	Description	Reqd. No. CB400F	Remarks
1A	251	90474-333-000	WASHER, 8MM	1	
1E	252	90481-292-000	WASHER, OIL FILTER ROTOR LOCK	1	
1G	253	90554-700-000	WASHER, THRUST, 20MM	3	
1C	254	90601-333-000	SET RING, 12.7MM	1	
1G	255	90602-259-010	CIR CLIP, 25MM	4	
1H	256	90605-200-000	SET RING, 20MM	2	
1E	257	90609-333-000	SET RING, SPECIAL, 92MM	1	
1H	258	91001-235-300	BEARING, RADIAL BALL, 16004	1	
1G	259	91002-286-008	BEARING, BALL, 5205HS (TOYO)	1	
2G	260	91007-323-000	BEARING, NEEDLE, 25X29X17	1	
1E	261	91008-362-000	BEARING, RADIAL BALL, 16003	1	
1G	262	91022-377-008	BEARING, NEEDLE, 20MM	2	
1H	263	91101-333-000	ROLLER, 4X16.8	5	
2A	264	91101-377-000	ROLLER, 10.2X11.5	3	
2A	265	91201-300-003	OIL SEAL, 30X42X8	1	
2B	266	91201-323-005	OIL SEAL, 30X45X8	1	
1C	267	91201-324-010	OIL SEAL, 6.5X14.5X7	1	
1E	268	91202-216-005	OIL SEAL, 14X24X5	1	
1E	269	91204-259-000	OIL SEAL, 16X28X7	1	
1H	270	91205-333-005	OIL SEAL, 34X52X13.5X15.5	1	
1H	271	91206-286-005	OIL SEAL, 14X28X7	1	
		91206-286-013	OIL SEAL, 14X28X7	1	
2H	272	91207-333-000	OIL SEAL, 34X9	1	
1C	273	91301-200-000	O-RING, 10X1.6	8	
1F	274	91301-283-005	O-RING, 5X2.4	1	
1C	275	91301-333-000	O-RING, 7X1.7	1	
2C	276	91301-377-000	O-RING, 55.5X2	4	
1C	277	91302-001-020	O-RING, 30.8MM	8	
2H	278	91302-044-010	O-RING, 6.9X1.5	2	
2E	279	91302-377-000	O-RING, 15X2.5	3	
2D	280	91305-333-000	O-RING, 5X1.7	1	

ENGINE GROUP

REF.NO. 281~310

Block Ref. No. No.	Part No.	Description	Reqd. No. CB400F	Remarks
2G 281	91309-300-000	O-RING, 24.4X3.1	1	
2F 282	91314-220-000	O-RING, 16.4X2.4	1	
2F 283	91315-044-000	O-RING, 19.4X2.8	1	
2E 284	91316-300-003	O-RING, 89X4.5	1	
2A 285	91317-703-000	O-RING, 6X1.7	1	
2F 286	91319-300-000	O-RING, 13X2.5	1	
2F 287	91329-590-003	O-RING, 16.5X2	1	
1E 288	91354-702-000	O-RING, 23MM	1	
2G 289	92000-06012	BOLT, HEX., 6X12	6	
1H 290	92000-08020-0A	BOLT, HEX., 8X20	1	
1H 291	92100-06020	BOLT, HEX., 6X20	1	
2F 292	92800-12000	BOLT, DRAIN PLUG, 12MM	1	
1K 293	93500-03006-0A	SCREW, PAN, 3X6	1	
2J 294	93500-04010-0A	SCREW, PAN, 4X10	20	
1G 295	93500-05006-0A	SCREW, PAN, 5X6	4	
2E 296	93500-05014-0A	SCREW, PAN, 5X14	3	
1J 297	93500-05016-0A	SCREW, PAN, 5X16	8	
1D 298	93500-05025-0A	SCREW, PAN, 5X25	4	
2F 299	93500-06012	SCREW, PAN, 6X12	5	
2H 300	93500-06016	SCREW, PAN, 6X16	5	
1D 301	93500-06018	SCREW, PAN, 6X18	8	
2G 302	93500-06032	SCREW, PAN, 6X32	3	
1E 303	93500-06035	SCREW, PAN, 6X35	5	
1E 304	93500-06040	SCREW, PAN, 6X40	9	
2H 305	93500-06055	SCREW, PAN, 6X55	2	
1E 306	93500-06060	SCREW, PAN, 6X60	2	
2G 307	93600-06014	SCREW, FLAT, 6X14	3	
2J 308	93600-06016	SCREW, FLAT, 6X16	8	
2H 309	93700-04012-0B	SCREW, OVAL, 4X12	2	
1G 310	93700-05020-0A	SCREW, OVAL, 5X20	1	

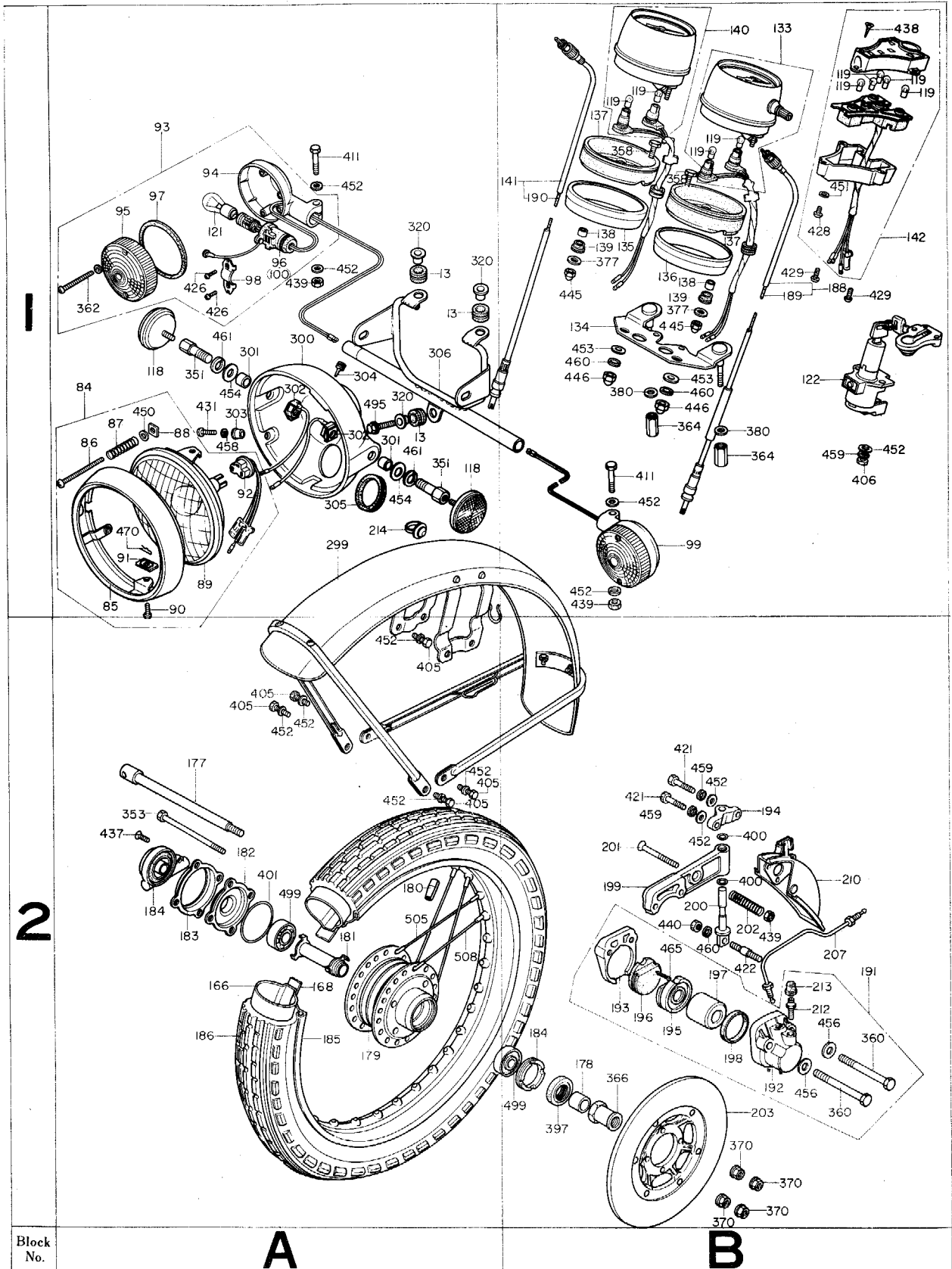
Block Ref. No. No.	Part No.	Description	Reqd. No. CB400F	Remarks
1E 311	93700-06016	SCREW, OVAL, 6X16	2	
2E 312	93700-06030	SCREW, OVAL, 6X30	2	
1E 313	94001-10000-0S	NUT, HEX., 10MM	1	
2A 314	94002-08000-0S	NUT, HEX., 8MM	2	
2E 315	94101-05000	WASHER, PLAIN, 5MM	3	
2A 316	94101-06000	WASHER, PLAIN, 6MM	1	
2F 317	94109-12000	WASHER, DRAIN PLUG, 12MM	1	
1A 318	94109-14000	WASHER, DRAIN PLUG, 14MM	4	
1J 319	94111-05000	WASHER, SPRING, 5MM	8	
2J 320	94111-06000	WASHER, SPRING, 6MM	2	
1F 321	94301-08100	PIN A, DOWEL, 8X10	2	
1C 322	94301-08140	PIN A, DOWEL, 8X14	8	
1F 323	94301-10140	PIN A, DOWEL, 10X14	2	
2C 324	94301-12200	PIN A, DOWEL, 12X20	4	
2H 325	94301-14200	PIN A, DOWEL, 14X20	2	
2G 326	94302-06100	PIN, KNOCK, 6X10E	1	
2G 327	94520-52000	CIR CLIP, INTERNAL, 52MM	3	
1A 328	94601-13000	CLIP, PISTON PIN, 13MM	8	
1J 329	95001-35600-40	TUBE, FUEL, 3.5X600	2	
1J 330	95002-02070	CLIP, TUBE, 87	6	
1D 331	95005-11470-30	TUBE, 11X470	1	
1B 332	95700-06016	BOLT, FLANGE, 6X16	3	
1E 333	95700-06020	BOLT, FLANGE, 6X20	4	
1C 334	95700-06028	BOLT, FLANGE, 6X28	11	
1C 335	95700-06032	BOLT, FLANGE, 6X32	10	
1C 336	95700-06035	BOLT, FLANGE, 6X35	2	
1C 337	95700-06040	BOLT, FLANGE, 6X40	19	
1C 338	95700-06060	BOLT, FLANGE, 6X60	8	
1F 339	95700-06090	BOLT, FLANGE, 6X90	3	
1F 340	95700-06100	BOLT, FLANGE, 6X100	1	

ENGINE GROUP

REF.NO. 341~351

Block No.	Ref. No.	Part No.	Description	Reqd. No. CB400F	Remarks
2H	341	95700-08032	BOLT, FLANGE, 8X32	1	
2E	342	95800-06055	BOLT, FLANGE, 6X55	1	
2G	343	96100-62050	BEARING, RADIAL BALL, 6205	2	
1H	344	96220-40118	ROLLER, 4X11.8	1	
1H	345	96220-40218	ROLLER, 4X21.8	1	
2D	346	98069-38710	PLUG, SPARK (D-8ES-L NGK)	4	
2J	347	99124-076-0380	JET, SLOW (#38) (OPTIONAL PART)	4	
		99124-076-0400	JET SLOW #40 (STD.)	4	
		99124-076-0420	JET SLOW #42 (OPTIONAL PART)	4	
2J	348	99202-601-0720	JET SET, MAIN (#72) (OPTIONAL PART)	4	
		99202-601-0750	JET SET, MAIN (#75) (STD.)	4	
		99202-601-0780	JET SET, MAIN (#78) (OPTIONAL PART)	4	
2H	349	31201-230-174	BRUSH SET, CARBON (MITSUBA)	1	
2H	350	31204-225-154	SPRING, CARBON BRUSH (MITSUBA)	2	
2H	351	31206-286-158	O RING (MITSUBA)	1	

FRAME GROUP



1

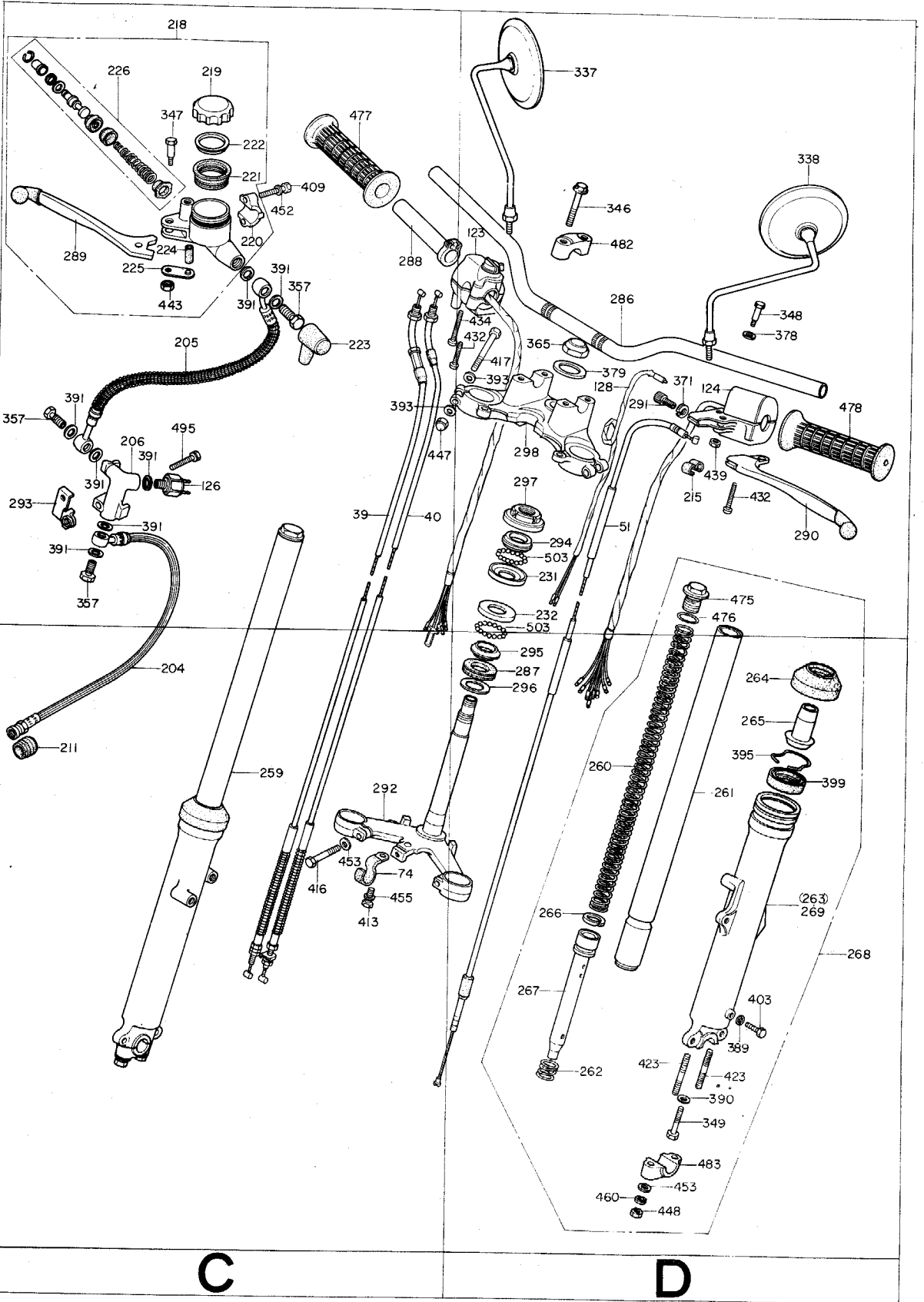
2

A

B

Block No.

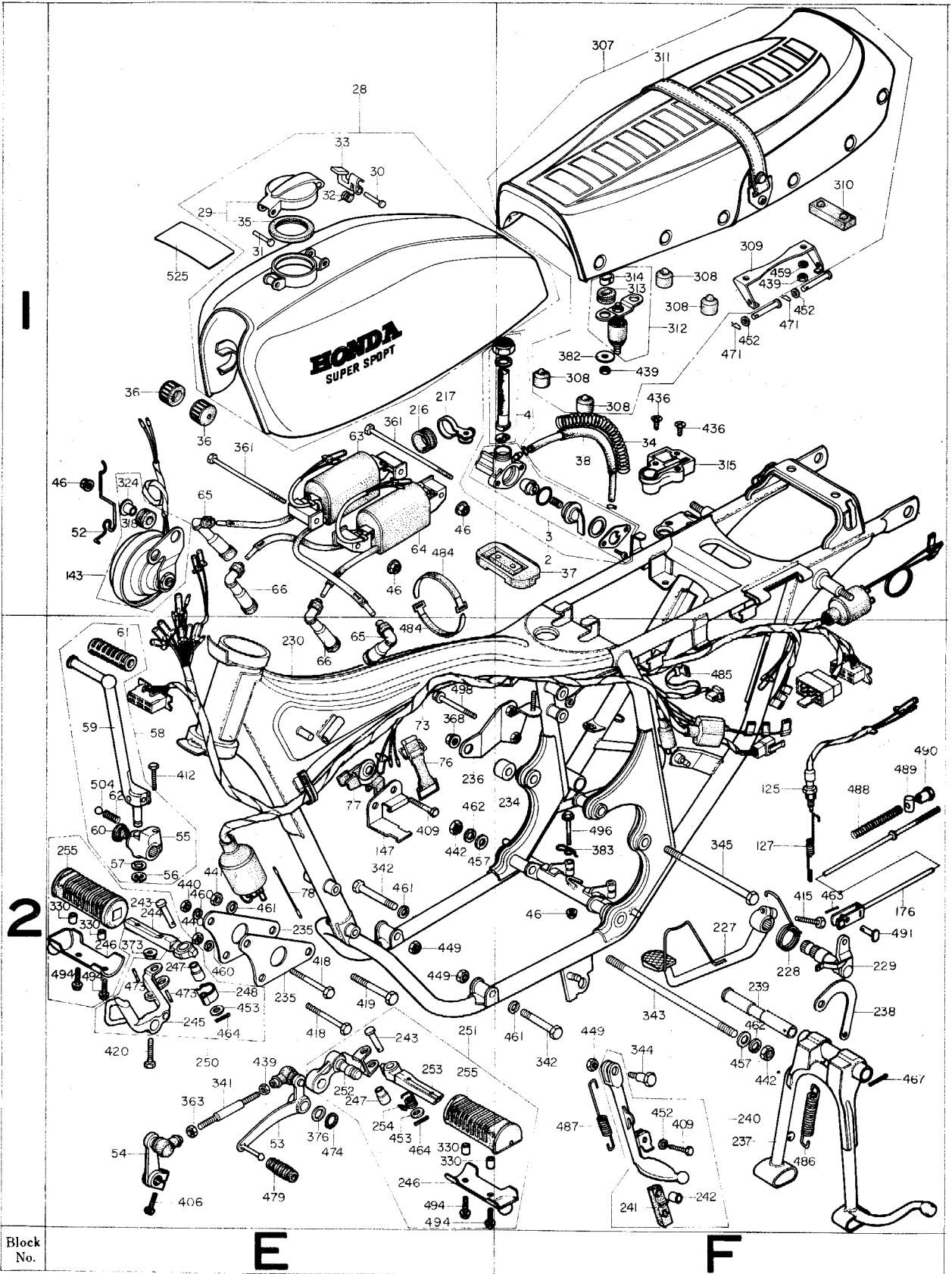
FRAME GROUP



C

D

FRAME GROUP

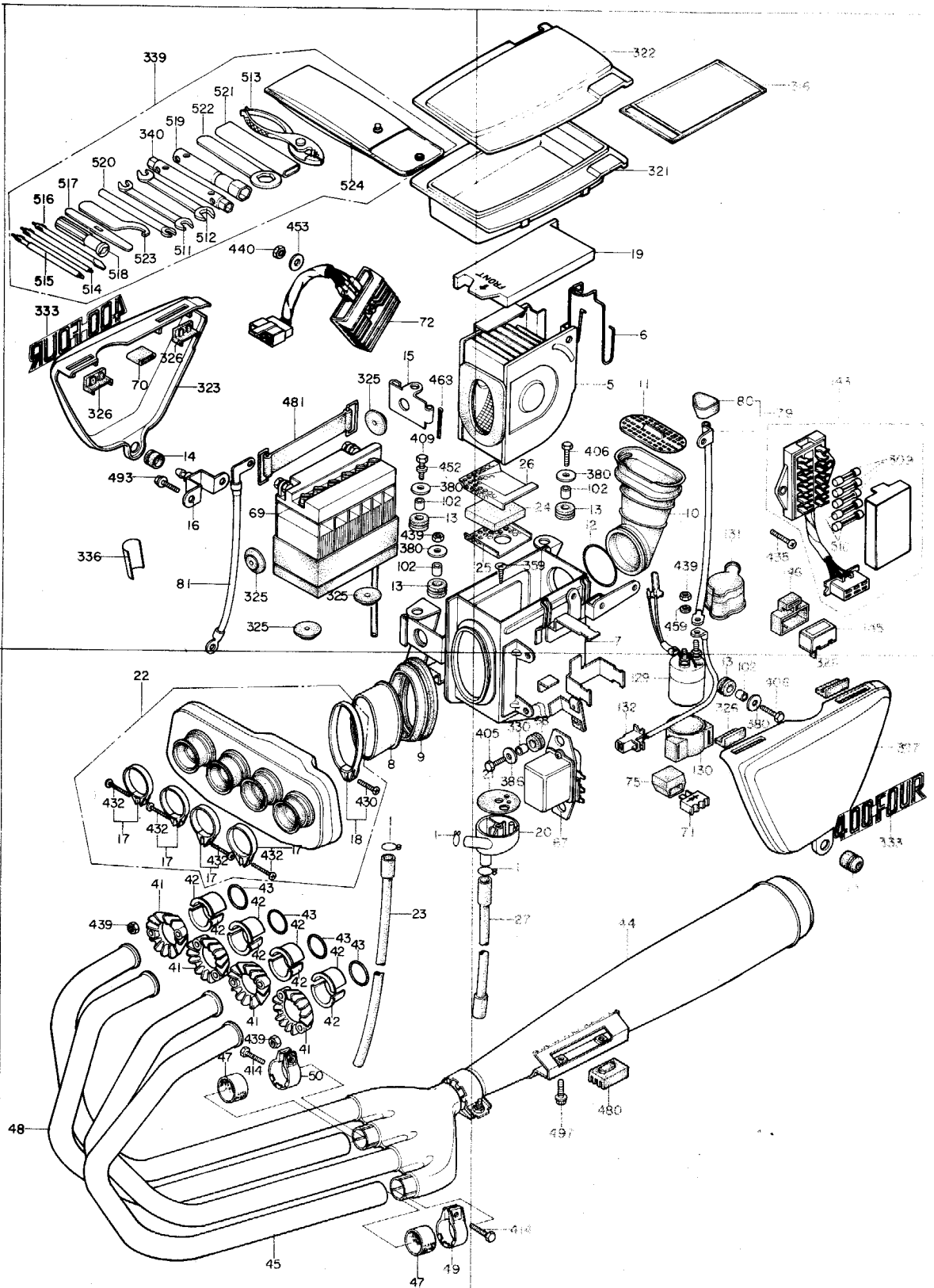


Block No.

E

F

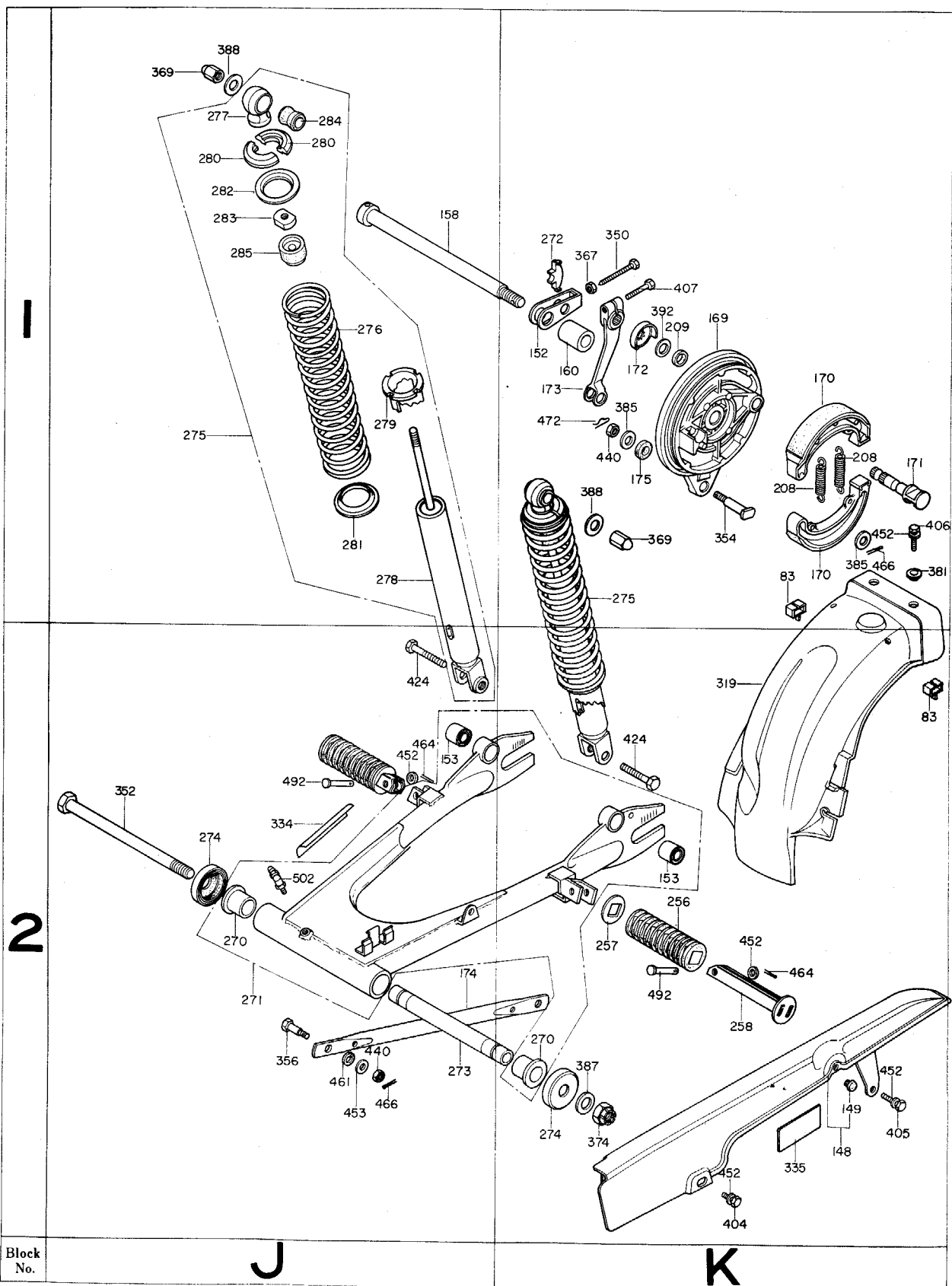
FRAME GROUP



G

H

FRAME GROUP

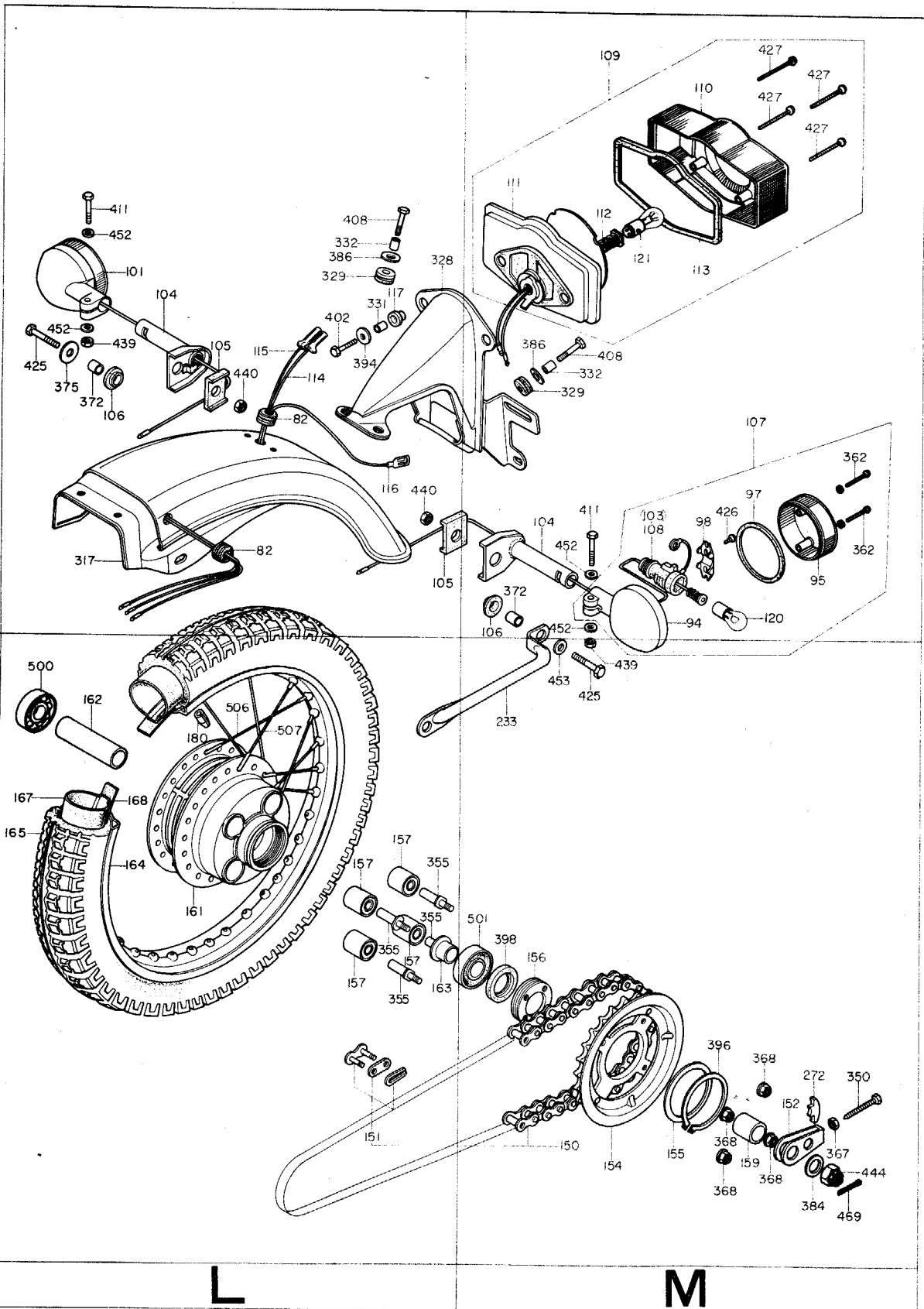


Block No.

J

K

FRAME GROUP



Block No.	Ref. No.	Part No.	Description	Reqd. No. CB400F	Remarks
2G	1	15772-292-010	CLIP, BREATHER TUBE	3	
1F	2	16950-377-005	COCK, FUEL (KEIHIN)	1	
1F	3	16951-377-005	BODY SET, FUEL COCK (KEIHIN)	1	
1F	4	16952-341-671	STRAINER SET, FUEL	1	
1H	5	17210-333-610	ELEMENT, AIR CLEANER	1	
1H	6	17216-333-010	SPRING, CLEANER ELEMENT	1	
1H	7	17230-377-010	CASE COMP., AIR CLEANER	1	
2G	8	17235-333-000	GUIDE, AIR DUCT	1	
2G	9	17236-333-000	SEAL, AIR CLEANER ELEMENT	1	
1H	10	17240-333-000	DUCT, AIR CLEANER INLET	1	
1H	11	17241-333-000	NET, AIR INLET	1	
1H	12	17242-333-000	BAND, AIR CLEANER INLET	1	
1A	13	17245-107-010	RUBBER, AIR CLEANER CASE MOUNT	7	
1G	14	17245-369-000	GROMMET, SIDE COVER	2	
1G	15	17252-333-000	PLATE, BATTERY HINGE	1	
1G	16	17253-377-000	BRACKET, SIDE COVER	1	
2G	17	17255-333-000	BAND A, CLEANER CONNECTING TUBE	4	
2G	18	17256-333-000	BAND B, CLEANER CONNECTING TUBE	1	
1H	19	17260-333-000	LID, AIR CLEANER CASE	1	
2H	20	17271-611-010	CHAMBER, BREATHER	1	
2H	21	17272-377-000	PACKING, BREATHER	1	
2G	22	17300-333-000	CHAMBER ASSY., AIR CLEANER	1	
2G	23	17335-323-000	TUBE ASSY., BREATHER	1	
1H	24	17352-377-000	ELEMENT B	1	
1H	25	17354-377-000	PLATE A, PUNCHING	1	
1H	26	17355-377-000	PLATE B, PUNCHING	1	
2H	27	17358-374-000	TUBE ASSY., DRAIN	1	
1E	28	17500-377-670HX	TANK ASSY., FUEL	1	
		17500-377-670HW	TANK ASSY., FUEL	1	
1E	29	17510-323-310	CAP COMP., FUEL TANK	1	
1F	30	17513-300-300	PIN, FUEL FILLER CAP CHECK	1	

Block No.	Ref. No.	Part No.	Description	Reqd. No. CB400F	Remarks
1E	31	17514-323-300	PIN B, FUEL FILLER CAP	1	
1E	32	17515-300-300	SPRING, FUEL FILLER CAP CHECK	1	
1E	33	17517-300-340	CHECK, FUEL FILLER CAP	1	
1F	34	17531-377-000	SPRING, FUEL TUBE COVER	1	
1E	35	17534-323-300	GASKET, FUEL FILLER	1	
1E	36	17611-286-000	CUSHION, FUEL TANK FRONT	2	
1F	37	17613-377-000	CUSHION, FUEL TANK REAR	1	
1F	38	17681-377-000	TUBE, FUEL	1	
1C	39	17910-377-000	CABLE COMP. A, THROTTLE	1	
1C	40	17920-377-000	CABLE COMP. B, THROTTLE	1	
2G	41	18231-333-010	JOINT, EXHAUST PIPE	4	
2G	42	18233-303-010	COLLAR, EXHAUST PIPE JOINT	8	
2G	43	18291-028-000	GASKET, EXHAUST PIPE	4	
2H	44	18300-377-305	MUFFLER COMP., EXHAUST	1	
2G	45	18320-377-000	PIPE 1, EXHAUST	1	
1E	46	18362-720-000	NUT, FLANGE, 6MM	6	
2G	47	18391-375-000	PACKING, MUFFLER	2	
2G	48	18420-377-000	PIPE 3, EXHAUST	1	
2G	49	18431-375-000	BAND, RIGHT PRE CHAMBER	1	
2G	50	18434-375-000	BAND, LEFT PRE CHAMBER	1	
1D	51	22870-377-000	CABLE COMP., CLUTCH	1	
1E	52	22872-356-000	CLAMP, CLUTCH WIRE	1	
2E	53	24700-377-000	PEDAL COMP., GEAR CHANGE	1	
2E	54	24710-377-000	ARM COMP., GEAR CHANGE	1	
2E	55	28241-333-010	JOINT, KICK ARM	1	
2E	56	28293-333-000	CLIP, KICK STARTER ARM	1	
2E	57	28294-333-000	WASHER, KICK ARM	1	
2E	58	28300-377-000	ARM COMP., KICK STARTER	1	
2E	59	28301-377-000	ARM, KICK STARTER	1	
2E	60	28305-333-010	CAP, KICK ARM	1	

Block No.	Ref. No.	Part No.	Description	Reqd. No. CB400F	Remarks
2E	61	28311-329-000	RUBBER; KICK STARTER	1	
2E	62	28333-333-000	SPRING; KICK STARTER STOPPER	1	
1E	63	30510-333-013	COIL ASSY.; RIGHT IGNITION	1	
1E	64	30520-333-013	COIL ASSY.; LEFT IGNITION	1	
1E	65	30700-300-010	CAP ASSY. A; NOISE SUPPRESSER	2	
1E	66	30701-323-013	CAP ASSY. B; NOISE SUPPRESSER	2	
2H	67	31400-333-004	REGULATOR ASSY. (NO)	1	
2H	68	31403-323-000	RUBBER; REGULATOR CUSHION	2	
1G	69	31500-310-671	BATTERY ASSY. (12V.12AH)	1	
1G	70	31503-044-670	RUBBER B; BATTERY MOUNT	1	
2H	71	31700-124-003	RECTIFIER ASSY	1	
1G	72	31700-333-008	RECTIFIER ASSY	1	
2E	73	32100-377-020	HARNES; WIRE	1	
2C	74	32123-375-000	CLIP D; WIRE HARNES	1	
2H	75	32135-124-300	HOLDER; COUPLER	1	
2E	76	32161-377-000	BAND; WIRE HARNES	1	
2E	77	32174-377-000	HOLDER; WIRE HARNES	1	
2E	78	32200-377-671	HARNES; SUB	1	
1H	79	32401-333-000	CABLE; STARTER BATTERY	1	
1H	80	32412-333-000	COVER; BATTERY TERMINAL	1	
1G	81	32601-286-000	CABLE; BATTERY EARTH	1	
1L	82	32983-011-000	GROMMET; WIRE CORD	2	
1K	83	32985-300-000	GROMMET; WIRE CORD	2	
1A	84	33100-369-671	LIGHT ASSY.; HEAD (12V 50/35W)	1	
1A	85	33101-369-670	RIM; HEAD LIGHT	1	
1A	86	33103-333-000	SCREW; BEAM ADJUST; 4MM	1	
1A	87	33107-333-000	SPRING; HEAD LIGHT BEAM ADJUSTING	1	
1A	88	33117-001-023	NUT; HEAD LIGHT BEAM ADJUSTING	1	
1A	89	33120-333-670	LIGHT UNIT; HEAD (12V 50/35W)	1	
1A	90	33125-087-761	SCREW; UNIT HOLDER	2	

Block No.	Ref. No.	Part No.	Description	Reqd. No. CB400F	Remarks
1A	91	33128-200-033	NUT, UNIT HOLDER	2	
1A	92	33130-333-000	SOCKET COMP., HEAD LIGHT	1	
1A	93	33400-377-671	SIGNAL ASSY., RIGHT FRONT TURN (12V 32/3CP)	1	
1A	94	33401-377-671	BASE, TURN SIGNAL	4	
1A	95	33402-377-671	LENS, TURN SIGNAL	4	
1A	96	33405-377-671	SOCKET COMP., RIGHT	1	
1A	97	33406-377-671	PACKING, TURN SIGNAL LENS	4	
1A	98	33407-377-671	HOLDER, TURN SIGNAL SOCKET	4	
1B	99	33450-377-671	SIGNAL ASSY., LEFT FRONT TURN (12V 32/3CP)	1	
1A	100	33455-377-671	SOCKET COMP., LEFT	1	
1L	101	33600-377-671	SIGNAL ASSY., RIGHT REAR TURN (12V 32CP)	1	
1G	102	33603-053-650	COLLAR, REAR TURN SIGNAL STAY	4	
1M	103	33605-377-671	SOCKET COMP., RIGHT	1	
1L	104	33607-377-670	STAY, REAR TURN SIGNAL	2	
1L	105	33608-300-000	RUBBER, REAR TURN SIGNAL MOUNT	2	
1L	106	33609-292-000	RUBBER B, REAR TURN SIGNAL MOUNT	2	
1M	107	33650-377-671	WINKER ASSY., LEFT REAR (12V 32CP)	1	
1M	108	33655-377-671	SOCKET COMP., LEFT	1	
1M	109	33701-342-671	LIGHT UNIT, TAIL	1	
1M	110	33702-341-671	LENS, TAIL LIGHT	1	
1M	111	33703-342-671	BASE COMP., TAIL LIGHT	1	
1M	112	33708-341-671	CORD COMP., TAIL LIGHT	1	
1M	113	33709-341-671	PACKING, TAIL LIGHT LENS	1	
1L	114	33710-333-000	CORD, STOP LIGHT	1	
1L	115	33711-333-000	CORD, TAIL LIGHT SUB	1	
1L	116	33712-300-003	CORD, TAIL LIGHT EARTH (STANLEY)	1	
1L	117	33714-077-671	PACKING B, TAIL LIGHT BASE	2	
1A	118	33741-340-670	REFLECTOR, FRONT REFLEX	2	
1B	119	34902-259-000	BULB, DASH (12V 3W)	9	
1M	120	34905-268-671	BULB, TURN SIGNAL (12V 25W)	2	

FRAME GROUP

REF.NO. 121~150

Block No.	Ref. No.	Part No.	Description	Reqd. No. CB400F	Remarks
1A	121	34906-313-671	BULB, TAIL & STOP LIGHT (12V 23/8W)	3	
1B	122	35010-377-670	KEY SET	1	
1D	123	35130-377-670	SWITCH ASSY., STARTER KILL	1	
1D	124	35200-377-671	SWITCH ASSY., TURN SIGNAL	1	
2F	125	35350-292-003	SWITCH ASSY., STOP	1	
1O	126	35350-300-016	SWITCH, STOP (NAILS)	1	
1P	127	35357-046-000	SPRING, STOP SWITCH	1	
1D	128	35360-341-000	SWITCH ASSY., CLUTCH LEVER	1	
2H	129	35850-375-000	SWITCH ASSY., STARTER MAGNETIC	1	
2H	130	35856-286-010	RUBBER, MAGNETIC SHOCK	1	
1H	131	35857-333-000	COVER, MAGNETIC SWITCH	1	
2H	132	35858-333-000	CORD, MAGNETIC SUB	1	
1B	133	37200-377-671	METER ASSY., SPEED (MILE)	1	
1B	134	37211-377-000	BRACKET, METER	1	
1B	135	37212-455-000	RING, RIGHT METER SET	1	
1B	136	37213-455-000	RING, LEFT METER SET	1	
1B	137	37242-323-701	CUSHION, METER	2	
1B	138	37243-457-000	COLLAR, METER SET	4	
1B	139	37244-307-670	RUBBER, METER SET	4	
1B	140	37250-377-008	METER ASSY., TACHO	1	
1B	141	37260-333-000	CABLE ASSY., TACHOMETER	1	
1B	142	37600-377-018	PILOT ASSY., COMBINATION (NIPPON SEIKI)	1	
1B	143	38100-369-004	HORN ASSY. (MITSUBA)	1	
1H	144	38200-377-005	BOX ASSY., FUSE (DAICHI)	1	
1H	145	38300-292-670	RELAY ASSY., TURN SIGNAL (SIGNAL STAT)	1	
1H	146	38306-107-670	SUSPENSION, TURN SIGNAL RELAY	1	
2B	147	38555-377-000	STAY, SPEED UNIT	1	
2K	148	40510-377-000	CASE, DRIVE CHAIN	1	
2K	149	40514-377-000	PLUG, CHAIN CASE	1	
2M	150	40530-333-003	CHAIN, DRIVE (DIO500S-96L) (DAIO)	1	
		40530-333-005	CHAIN, DRIVE (RK50S-96L) (TAKASAGO)	1	

Block No.	Ref. No.	Part No.	Description	Reqd. No. CB400F	Remarks
2L	151	40531-333-003	JOINT, DRIVE CHAIN (DID50DS) (DAID0)	1	
		40531-333-005	JOINT, DRIVE CHAIN (RK50S) (TAKASAGO)	1	
1K	152	40543-312-010	ADJUSTER, DRIVE CHAIN	2	
2J	153	40548-268-000	BUSH, REAR CUSHION UNDER RUBBER	2	
2M	154	41200-367-010	SPROCKET COMP., FINAL DRIVEN (38T)	1	
2M	155	41202-286-000	WASHER, 70MM	1	
2M	156	41231-286-000	RETAINER, REAR WHEEL BEARING	1	
2L	157	41241-286-000	BUSH, REAR WHEEL DAMPER	4	
1J	158	42301-286-010	AXLE, REAR WHEEL	1	
2M	159	42311-286-000	COLLAR, REAR WHEEL SIDE	1	
1K	160	42313-369-000	COLLAR, REAR BRAKE PANEL SIDE	1	
2L	161	42601-333-000	HUB COMP., REAR WHEEL	1	
2L	162	42620-286-000	COLLAR A, REAR AXLE DISTANCE	1	
2L	163	42625-286-000	COLLAR B, REAR AXLE DISTANCE	1	
2L	164	42701-290-003	RIM, REAR WHEEL (18)(DAID0)	1	
2L	165	42711-377-003	TIRE, REAR WHEEL (3.50S-18) (BS)	1	
2A	166	42712-268-000	TUBE, REAR WHEEL (3.00-18)	1	
2L	167	42712-287-000	TUBE, REAR WHEEL (3.50-18)	1	
2A	168	42713-268-000	FLAP, REAR TUBE (18)(BS)	2	
1K	169	43100-369-010	PANEL COMP., REAR BRAKE	1	
1K	170	43120-369-670	SHOE COMP., REAR BRAKE	2	
1K	171	43141-369-000	CAM, REAR BRAKE	1	
1K	172	43145-369-000	PLATE, BRAKE INDICATOR	1	
1K	173	43411-369-000	ARM, REAR BRAKE	1	
2J	174	43431-333-000	ARM, REAR BRAKE STOPPER	1	
1K	175	43434-286-000	RUBBER, STOPPER ARM CUSHION	1	

Block No.	Ref. No.	Part No.	Description	Reqd. No. CB400F	Remarks
2F	176	43451-377-000	ROD COMP., REAR BRAKE	1	
2A	177	44301-312-000	AXLE, FRONT WHEEL	1	
2B	178	44311-300-000	COLLAR, FRONT WHEEL SIDE	1	
2A	179	44601-317-702	HUB, FRONT WHEEL	1	
2A	180	44606-283-000	BALANCER (20G)	N	
		44607-283-000	BALANCER (15G)	N	
		44608-283-000	BALANCER (10G)	N	
		44609-283-000	BALANCER (5G)	N	
2A	181	44620-317-701	COLLAR, FRONT AXLE DISTANCE	1	
2A	182	44641-333-000	RETAINER COMP., GEAR BOX	1	
2A	183	44642-317-701	COVER, GEAR BOX RETAINER	1	
2B	184	44643-300-000	RETAINER, FRONT WHEEL BEARING	1	
2A	185	44701-317-701	RIM, FRONT WHEEL (14)	1	
2A	186	44711-377-003	TIRE, FRONT WHEEL (3.00S-18) (HS)	1	
2A	187	44800-317-700	CASING ASSY, SPEEDOMETER GEAR	1	
1B	188	44830-323-000	CABLE ASSY., SPEEDOMETER	1	
1B	189	44831-323-000	CABLE, SPEEDOMETER INNER	1	
1B	190	44831-333-000	CABLE, SPEEDOMETER INNER	1	
2B	191	45100-323-053	CALIPER ASSY. (TOKIKO)	1	
2B	192	45101-323-013	CALIPER A (TOKIKO)	1	
2B	193	45102-323-003	CALIPER B (TOKIKO)	1	
2B	194	45104-317-700	JOINT, CALIPER HOLDER	1	
2B	195	45105-323-016	PAD COMP. A (ASAHI)	1	
		45105-323-043	PAD COMP. A (TOKIKO)	1	
2B	196	45106-323-006	PAD COMP. B (ASAHI)	1	
		45106-323-013	PAD COMP. B (TOKIKO)	1	
2B	197	45107-323-020	PISTON COMP.	1	
2B	198	45108-300-003	SEAL, PISTON (TOKIKO)	1	
2B	199	45115-323-010	HOLDER, CALIPER	1	
2B	200	45116-323-020	PIN, CALIPER HOLDER	1	

Block No.	Ref. No.	Part No.	Description	Reqd. No. CB400F	Remarks
2B	201	45117-300-020	BOLT, CALIPER ADJUSTING	1	
2B	202	45119-333-000	SPRING, CALIPER ADJUST	1	
2B	203	45120-369-000	DISK COMP., FRONT BRAKE	1	
2C	204	45125-300-020	HOSE A, FRONT BRAKE	1	
1C	205	45126-377-000	HOSE B, FRONT BRAKE	1	
1C	206	45127-323-000	JOINT, 3 WAY	1	
2B	207	45128-317-701	PIPE, FRONT BRAKE	1	
1K	208	45133-329-000	SPRING, FRONT BRAKE SHOE	2	
1K	209	45134-250-000	SEAL, BRAKE CAM BUSH	1	
2B	210	45140-333-000	COVER COMP., DISK	1	
2C	211	45146-300-000	GROMMET, BRAKE HOSE	1	
2B	212	45224-579-013	VALVE, BLEEDER	1	
2B	213	45225-579-013	CAP, BLEEDER	1	
2A	214	45451-283-000	GROMMET, WIRE	1	
1B	215	45465-370-000	CLIP, FRONT BRAKE CABLE	1	
1E	216	45466-329-000	INNER, CABLE GUIDE	1	
1E	217	45467-329-000	CLIP A, FRONT BRAKE CABLE	1	
1C	218	45500-369-671	CYLINDER ASSY., MASTER	1	
1C	219	45513-341-771	CAP, OIL CUP	1	
1C	220	45517-300-003	HOLDER, MASTER CYLINDER	1	
1C	221	45520-300-000	DIAPHRAGM	1	
1C	222	45521-300-010	PLATE, DIAPHRAGM	1	
1C	223	45522-300-010	BOOT, MASTER CYLINDER	1	
1C	224	45526-341-000	BUSH, RIGHT HANDLE LEVER	1	
1C	225	45527-300-000	PLATE, LEVER BUSH SETTING	1	
1C	226	45530-377-305	CYLINDER SET, MASTER	1	
2F	227	46500-377-000	PEDAL COMP., BRAKE	1	
2F	228	46514-377-000	SPRING, BRAKE PEDAL	1	
2F	229	46515-377-000	SHAFT COMP., REAR BRAKE PIVOT	1	
2E	230	50100-377-000F	BODY COMP., FRAME	1	

Block No.	Ref. No.	Part No.	Description	Reqd. No. CB400F	Remarks
1D	231	50301-268-305	RACE, STEERING TOP BALL	1	
1D	232	50302-268-305	RACE, STEERING BOTTOM BALL	1	
1M	233	50316-377-000	GRIP, SIDE	1	
2E	234	50329-286-010	COLLAR, ENGINE SIDE	1	
2E	235	50351-377-000B	PLATE, FRONT ENGINE HANGER	2	
2E	236	50356-377-000B	BRACKET, REAR ENGINE HANGER	1	
2F	237	50500-377-000B	STAND COMP., MAIN	1	
2F	238	50523-333-000	HOOK, MAIN STAND SPRING	1	
2F	239	50526-286-000	PIPE, MAIN STAND PIVOT	1	
2F	240	50540-377-670B	BAR ASSY., SIDE STAND	1	
2F	241	50548-356-700	RUBBER, STAND	1	
2F	242	50549-356-700	COLLAR, STAND RUBBER SET	1	
2E	243	50603-033-000	PIN, STEP BAR JOINT	2	
2E	244	50616-377-000	ARM COMP, RIGHT STEP	1	
2E	245	50618-377-000B	BAR COMP, RIGHT STEP	1	
2E	246	50619-375-000	STOPPER, STEP RUBBER	2	
2E	247	50620-310-000	INNER PIPE, STEP	2	
2E	248	50620-377-000	SPRING, RIGHT STEP RETURN	1	
2E	250	50630-377-000B	STEP ASSY., RIGHT	1	
2E	251	50640-377-000B	STEP ASSY., LEFT	1	
2E	252	50641-377-000B	BAR COMP., LEFT STEP	1	
2E	253	50642-369-670B	ARM COMP., LEFT STEP	1	
2E	254	50644-283-000	SPRING, LEFT STEP RETURN	1	
2E	255	50661-369-000	RUBBER, STEP	2	
2K	256	50710-377-000	RUBBER, PILLION STEP	2	
2K	257	50712-377-000	WASHER, PILLION STEP	2	
2K	258	50715-377-000	BAR, PILLION STEP	2	
2O	259	51400-377-003	FORK ASSY., RIGHT FRONT (SHOWA)	1	
2D	260	51401-369-000	SPRING, FRONT SHOCK ABSORBER	2	

Block No.	Ref. No.	Part No.	Description	Reqd. No. CB400F	Remarks
2D	261	51411-369-000	PIPE COMP., FRONT FORK	2	
2D	262	51412-369-000	SPRING, FRONT SHOCK ABSORBER REBOUND	2	
2D	263	51421-369-000	CASE, RIGHT FRONT FORK BOTTOM	1	
2D	264	51425-369-000	SEAL, FRONT FORK DUST	2	
2D	265	51432-369-000	PIECE, OIL LOCK	2	
2D	266	51437-369-000	RING, PISTON	2	
2D	267	51470-377-003	PIPE COMP., SEAT (SHOWA)	2	
2D	268	51500-377-003	FORK ASSY., LEFT FRONT (SHOWA)	1	
2D	269	51521-369-000	CASE, LEFT FRONT FORK BOTTOM	1	
2J	270	52108-457-300	BUSH, REAR FORK PIVOT	2	
2J	271	52110-377-000R	FORK ASSY., REAR	1	
1K	272	52136-333-000	STOPPER, CHAIN ADJUSTER	2	
2J	273	52141-369-000	COLLAR, REAR FORK CENTER	1	
2J	274	52144-362-000	CAP, REAR FORK DUST SEAL	2	
1J	275	52400-375-000	ABSORBER ASSY., REAR SHOCK	2	
1J	276	52401-323-000	SPRING, SHOCK ABSORBER	2	
1J	277	52403-312-000	JOINT, UPPER	2	
1J	278	52410-323-670	DAMPER ASSY., REAR	2	
1J	279	52422-329-000	ADJUSTER, REAR SHOCK ABSORBER SPRING	2	
1J	280	52424-331-000	STOPPER, SPRING SEAT	4	
1J	281	52458-329-000	SEAT, REAR SHOCK ABSORBER SPRING UNDER	2	
1J	282	52459-312-003	SEAT, REAR SHOCK ABSORBER SPRING UPPER	2	
1J	283	52482-312-000	NUT, LOCK, TOPP	2	
1J	284	52484-292-000	RUBBER, JOINT	2	
1J	285	52517-312-000	RUBBER, REAR SHOCK ABSORBER STOPPER	2	
1D	286	53100-377-000	PIPE, STEERING HANDLE	1	
2D	287	53124-250-000	SEAL, STEERING HEAD DUST	1	
1O	288	53141-300-010	PIPE, THROTTLE GRIP	1	
1O	289	53170-369-003	LEVER COMP., RIGHT STEERING HANDLE (TOYO)	1	
1D	290	53190-369-700	LEVER COMP., LEFT STEERING HANDLE	1	

Block No.	Ref. No.	Part No.	Description	Reqd. No. CB400F	Remarks
1D	291	53192-268-000	BOLT, CLUTCH WIRE ADJUSTING	1	
2C	292	53200-377-010B	STEM COMP., STEERING	1	
1C	293	53208-369-000	HOLDER, 3WAY JOINT	1	
1D	294	53211-268-305	RACE, STEERING TOP CONE	1	
2D	295	53212-250-305	RACE, STEERING BOTTOM CONE	1	
2D	296	53215-250-000	WASHER, STEERING HEAD DUST SEAL	1	
1D	297	53220-286-000	THREAD COMP., STEERING HEAD TOP	1	
1D	298	53231-377-000	BRIDGE, FORK TOP	1	
1A	299	61100-377-000	FENDER COMP., FRONT	1	
1A	300	61301-369-003B	CASE, HEAD LIGHT (STANLEY)	1	
1A	301	61302-292-000	COLLAR, HEAD LIGHT CASE	2	
1A	302	61303-336-000	WASHER, HEAD LIGHT CASE	2	
1A	303	61304-292-000	COLLAR, HEAD LIGHT SETTING	2	
1A	304	61305-333-010	GROMMET, HEAD LIGHT CASE	1	
1A	305	61306-333-003	GROMMET, HEAD LIGHT CASE	1	
1A	306	61313-377-670B	STAY COMP., HEAD LIGHT	1	
1F	307	77200-377-000	SEAT COMP., DOUBLE	1	
1F	308	77201-074-000	RUBBER, SEAT CUSHION	4	
1F	309	77201-369-000	HINGE, SEAT	1	
1F	310	77204-312-000	RUBBER, SEAT SETTING	1	
1F	311	77210-377-000	LEATHER COMP., SEAT	1	
1F	312	77220-340-011	BAR ASSY., SEAT LOCK	1	
1F	313	77228-340-001	RUBBER, LOCK BAR CUSHION	2	
1F	314	77229-340-001	COLLAR, SEAT LOCK BAR	2	
1F	315	77230-377-003	LOCK ASSY., SEAT (TOYO)	1	
1H	316	77251-342-000	BAG, SERVICE BOOK	1	
1L	317	80100-377-000	FENDER COMP., REAR	1	
1E	318	80101-283-000	RUBBER, REAR FENDER CUSHION	2	
2K	319	80105-333-000	FENDER B ASSY., REAR	1	
1A	320	80109-329-000	COLLAR C, MOUNTING 6.3	3	

Block No.	Ref. No.	Part No.	Description	Reqd. No. CB400F	Remarks
1H	321	83501-333-020	TRAY, TOOL	1	
1H	322	83502-333-000	LID, TOOL TRAY	1	
1G	323	83600-377-000HX	COVER, RIGHT SIDE	1	
		83600-377-000MW	COVER, RIGHT SIDE	1	
1E	324	83601-357-000	COLLAR, COVER SET	2	
1G	325	83618-323-000	RUBBER, BATTERY BOX	4	
1G	326	83621-333-000	GROMMET, SIDE COVER	4	
2H	327	83700-377-000HX	COVER, LEFT SIDE	1	
		83700-377-000MW	COVER, LEFT SIDE	1	
1L	328	84701-377-670XM	BRACKET, NUMBER PLATE	1	
1L	329	84705-377-000	RUBBER, NUMBER BRACKET	3	
2E	330	84706-286-000	COLLAR, NUMBER BRACKET SET	6	
1L	331	84706-342-000	COLLAR, TAIL LIGHT UNIT	2	
1L	332	84707-342-000	COLLAR, NUMBER BRACKET SET	3	
1G	333	87128-377-000	EMBLEM, SIDE COVER	2	
2J	334	87504-028-670	MARK, MUFFLER CAUTION	1	
2K	335	87505-377-670	MARK, TIRE CAUTION	1	
1G	336	87506-377-670	MARK, BATTERY CAUTION	1	
1D	337	88100-333-004	MIRROR, RIGHT REAR VIEW	1	
1D	338	88120-333-004	MIRROR, LEFT REAR VIEW	1	
1G	339	89010-377-000	TOOL SET	1	
1G	340	89216-333-000	WRENCH, BOX, 10X12	1	
2E	341	90065-377-000	BOLT, TIE ROD	1	
2E	342	90106-333-000	BOLT, FRONT ENGINE LOWER HANGER	2	
2F	343	90107-333-000	BOLT, REAR ENGINE LOWER HANGER	1	
2F	344	90108-283-000	SCREW, SIDE STAND PIVOT	1	
2F	345	90108-333-000	BOLT, REAR ENGINE UPPER HANGER	1	

Block No.	Ref. No.	Part No.	Description	Reqd. No. CB400F	Remarks
1D	346	90111-362-000	BOLT, FLANGE, 8X36	4	
1C	347	90114-300-000	BOLT, HANDLE LEVER PIVOT	1	
1C	348	90114-310-000	BOLT, HANDLE LEVER PIVOT	1	
2D	349	90116-283-010	BOLT, SOCKET, 8MM	2	
1K	350	90119-283-000	BOLT, CHAIN ADJUSTING	2	
1A	351	90120-377-000	BOLT, HEAD LIGHT STAY	2	
2J	352	90121-369-000	BOLT, REAR FORK PIVOT	1	
2A	353	90122-317-702	BOLT, 8X90	4	
1K	354	90127-283-000	BOLT, REAR BRAKE PANEL STOPPER	1	
2L	355	90128-369-000	BOLT, SPROCKET FIXING	4	
2J	356	90133-286-000	BOLT, REAR BRAKE STOPPER ARM	1	
1C	357	90145-300-000	BOLT, OIL	3	
1B	358	90159-356-000	BOLT, METER SETTING	2	
1H	359	90163-538-000	SCREW, TAPPING, 6X18	1	
2B	360	90165-323-000	BOLT, CALIPER SETTING	2	
1E	361	90167-333-000	BOLT, HEX., 6X130	2	
1A	362	90192-377-671	SCREW, PAN, 4X25	8	
2E	363	90201-700-000	NUT, GOVERNER ARM FIXING	1	
1B	364	90282-329-000	NUT, M6X15	2	
1D	365	90304-323-670	NUT, STEERING STEM	1	
2B	366	90305-333-000	NUT, FRONT WHEEL AXLE	1	
1K	367	90307-283-000	NUT, CHAIN ADJUSTING	2	
2E	368	90308-357-000	NUT, HEX., 10MM	5	
1J	369	90309-315-000	NUT, REAR SHOCK ABSORBER UPPER	2	
2B	370	90309-357-000	NUT, HEX., 8MM	4	
1D	371	90321-315-670	NUT, FIXING	1	
1L	372	90324-300-000	COLLAR, 8MM	2	
2E	373	90352-122-003	NUT, DRIVEN SPROCKET	1	
2K	374	90354-268-000	NUT, SELF LOCK, 14MM	1	
1L	375	90428-844-650	WASHER, 8MM	1	

Block No.	Ref. No.	Part No.	Description	Reqd. No. CB400F	Remarks
2E	376	90474-703-000	WASHER, 12MM	1	
1B	377	90500-455-000	WASHER, METER MOUNT, 19MM	4	
1D	378	90501-310-000	WASHER, 7X12	1	
1D	379	90503-283-000	WASHER, STEERING STEM	1	
1B	380	90506-500-000	WASHER, AIR DUCT	6	
1K	381	90512-300-000	WASHER, 6X20	2	
1F	382	90514-700-000	WASHER, TANK COLLAR LOCK	2	
2F	383	90515-377-000	GUIDE, BREATHER PIPE	2	
2M	384	90523-286-000	WASHER, 16.5X30	1	
1K	385	90524-030-000	WASHER A, HANDLE HOLDER SETTING	2	
2H	386	90525-030-000	WASHER B, HANDLE HOLDER SETTING	5	
2K	387	90526-216-000	WASHER, 14X26	1	
1J	388	90527-230-000	WASHER, PLAIN, 10.3MM	2	
2D	389	90543-273-000	PACKING, FRONT FORK DRAIN COCK	2	
2D	390	90544-283-000	WASHER, SPECIAL, 8MM	2	
1C	391	90545-300-000	WASHER, OIL BOLT	7	
1K	392	90549-121-000	WASHER, PLAIN, 14MM	1	
1C	393	90555-283-000	WASHER, SPECIAL, 8MM	4	
1L	394	90581-342-000	WASHER, 20MM	2	
2D	395	90601-369-000	RING, OIL SEAL STOPPER	2	
2M	396	90665-286-000	OIL GRIP, EXTERNAL, 69MM	1	
2B	397	91252-300-003	DUST SEAL, 22X36X8	1	
2M	398	91253-286-013	DUST SEAL, 30X45X9.5	1	
2D	399	91255-369-000	OIL SEAL, 33X46X10.5	2	
2B	400	91259-333-000	O-RING, 9.5X1.7	2	
2A	401	91302-317-700	O-RING, RETAINER	1	
1L	402	92000-05020-0A	BOLT, HEX., 5X20	2	
2D	403	92000-06008	BOLT, HEX., 6X8	2	
2K	404	92000-06012	BOLT, HEX., 6X12	1	
2H	405	92000-06016	BOLT, HEX., 6X16	9	

Block No.	Ref. No.	Part No.	Description	Reqd. No. CB400F	Remarks
2E	406	92000-06020	BOLT, HEX., 6X20	7	
1K	407	92000-06022	BOLT, HEX., 6X22	1	
1L	408	92000-08025-02	BOLT, HEX., 6X25	3	
1C	409	92000-06025	BOLT, HEX., 6X25	3	
2E	410	92000-06028	BOLT, HEX., 6X28	3	
1A	411	92000-06035-02	BOLT, HEX., 6X35	4	
2E	412	92000-06036	BOLT, HEX., 6X36	1	
2C	413	92000-08016-0A	BOLT, HEX., 8X16	1	
2G	414	92000-08025-0A	BOLT, HEX., 8X25	2	
2F	415	92000-08028-0A	BOLT, HEX., 8X28	1	
2C	416	92000-08032-0A	BOLT, HEX., 8X32	2	
1D	417	92000-08056-0B	BOLT, HEX., 8X56	2	
2E	418	92000-08080-0A	BOLT, HEX., 8X80	2	
2E	419	92000-10080-0A	BOLT, HEX., 10X80	1	
2E	420	92023-06025	BOLT, HEX., 6X25	1	
2B	421	92200-06028	BOLT, HEX., 6X28	2	
2B	422	92700-08045	BOLT, STUD, 8X45	1	
2D	423	92700-08050-30	BOLT, STUD, 8X50	4	
2J	424	93000-10032-0B	BOLT, HEX., 10X32	2	
1L	425	93100-08040-0B	BOLT, HEX., 8X40	2	
1A	426	93500-03006-0A	SCREW, PAN, 3X6	8	
1M	427	93500-04055-0B	SCREW, PAN, 4X55	4	
1B	428	93500-05006-0G	SCREW, PAN, 5X6	1	
1B	429	93500-05010-0G	SCREW, PAN, 5X10	2	
2G	430	93500-05016-0A	SCREW, PAN, 5X16	1	
1A	431	93500-05016-0B	SCREW, PAN, 5X16	2	
2G	432	93500-05025-0A	SCREW, PAN, 5X25	7	
1C	434	93500-05032-0A	SCREW, PAN, 5X32	1	
1H	435	93500-06016	SCREW, PAN, 6X16	2	

Block Ref. No. No.	Part No.	Description	Reqd. No. CB400F	Remarks
1F 436	93600-06012-07	SCREW, FLAT, 6X12	2	
2A 437	93700-05016-0A	SCREW, OVAL, 5X16	1	
1B 438	93902-24280	SCREW, TAPPING, 4X10	3	
1A 439	94001-06000	NUT, HEX., 6MM	22	
2B 440	94001-08000-0S	NUT, HEX., 8MM	8	
2E 441	94001-10000-0S	NUT, HEX., 10MM	1	
2E 442	94001-12200	NUT, HEX., 12MM	2	
1C 443	94002-06000	NUT, HEX., 6MM	1	
2M 444	94011-16220-0S	NUT, CASTLE, 16MM	1	
2B 445	94021-06020	NUT, HEX. CAP, 6MM	4	
1B 446	94021-08020-0S	NUT, CAP, 8MM	2	
1C 447	94021-08021-0S	NUT, HEX. CAP, 8MM	2	
2D 448	94030-08000	NUT, HEX., 8MM	4	
2E 449	94030-10000	NUT, HEX., 10MM	3	
1A 450	94101-04000	WASHER, PLAIN, 4MM	1	
1B 451	94101-05700	WASHER, PLAIN, 5MM	1	
1A 452	94101-06000	WASHER, PLAIN, 6MM	30	
2D 453	94101-08000	WASHER, PLAIN, 8MM	13	
1A 454	94101-10000	WASHER, PLAIN, 10MM	2	
2C 455	94102-08000	WASHER, PLAIN, 8MM	1	
2B 456	94102-10000	WASHER, PLAIN, 10MM	2	
2E 457	94102-12000	WASHER, PLAIN, 12MM	2	
1A 458	94111-05000	WASHER, SPRING, 5MM	2	
2B 459	94111-06000	WASHER, SPRING, 6MM	8	
2B 460	94111-08000	WASHER, SPRING, 8MM	9	
1A 461	94111-10000	WASHER, SPRING, 10MM	5	
2E 462	94111-12000	WASHER, SPRING, 12MM	2	
2F 463	94201-16120	PIN, SPLIT, 1.6X12	1	
2E 464	94201-16150	PIN, SPLIT, 1.6X15	4	
2B 465	94201-16220	PIN, SPLIT, 1.6X22	1	

Block No.	Ref. No.	Part No.	Description	Reqd. No. CB400F	Remarks
2J	466	94201-20150	PIN, SPLIT, 2.0X15	2	
2F	467	94201-25250	PIN, SPLIT, 2.5X25	1	
1G	468	94201-30450	PIN, SPLIT, 3.0X45	1	
2M	469	94201-40300	PIN, SPLIT, 4.0X30	1	
1A	470	94251-05000	PIN, LOCK, 5MM	2	
1F	471	94251-06000	PIN, LOCK, 6MM	2	
1K	472	94251-08000	PIN, LOCK, 8MM	1	
2E	473	94305-40163	PIN, SPRING, 4X16	2	
2E	474	94511-12000	CIR CLIP, 12MM	1	
1D	475	94605-27101	BOLT DL, FORK	2	
1D	476	94608-50000	O-RING, 23X2.3	2	
1C	477	95011-14100	GRIP, RIGHT HANDLE	1	
1D	478	95011-14200	GRIP, LEFT HANDLE	1	
2E	479	95011-40000	RUBBER, CHANGE PEDAL	1	
2H	480	95011-61000	RUBBER A, STAND STOPPER	1	
1G	481	95012-17000	BAND A, BATTERY	1	
1D	482	95014-22200	HOLDER B2, UPPER	2	
2D	483	95014-41000	HOLDER, AXLE	2	
1E	484	95014-61100	BAND A1, WIRE	2	
2F	485	95014-62200	BAND B2, WIRE	1	
2F	486	95014-71700	SPRING G, PAIN STAND	1	
2F	487	95014-72401	SPRING U, SIDE STAND	1	
2F	488	95014-73300	SPRING C, BRAKE ROD	1	
2F	489	95015-32000	JOINT B, BRAKE ARM	1	
2F	490	95015-42000	NUT B, ADJUST	1	
2F	491	95015-52000	PIN B, JOINT	1	
2J	492	95015-81000	PIN A, PILLION STEP	2	
1G	493	95700-06014	BOLT, FLANGE, 6X14	2	
2E	494	95700-06018	BOLT, FLANGE, 6X18	4	
1A	495	95700-06025	BOLT, FLANGE, 6X25	2	

Block No.	Ref. No.	Part No.	Description	Reqd. No. CB400F	Remarks
2F	496	95700-06040	BOLT, FLANGE, 6X40	2	
2H	497	95700-08016	BOLT, FLANGE, 8X16	2	
2E	498	95700-08065	BOLT, FLANGE, 8X65	2	
2A	499	96140-63020-10	BEARING, RADIAL BALL, 6302	2	
2L	500	96140-63030-10	BEARING, RADIAL BALL, 6303	1	
2M	501	96140-63040-10	BEARING, RADIAL BALL, 6304	1	
2J	502	96201-80000	NIPPLE, GREACE, B-T6S	1	
1D	503	96211-08000	BALL, STEEL, #8	37	
2E	504	96211-10000	BALL, STEEL, #10	1	
2A	505	97311-69233-10	SPOKE, BS 8X196.5 (INSIDE)	18	
2L	506	97339-52159-10	SPOKE, B 9X159.5 (INSIDE)	18	
2L	507	97715-52158-10	SPOKE, B 9X159 (OUTSIDE)	18	
2A	508	97716-69232-10	SPOKE, BS 8X196.0 (OUTSIDE)	18	
1H	509	98200-20700	FUSE, 7A	3	
1H	510	98200-21500	FUSE, 15A	2	
1G	511	99001-10120	SPANNER, 10X12	1	
1G	512	99001-14170	SPANNER, 14X17	1	
1G	513	99002-13500	PLIERS, 135	1	
1G	514	99003-10000	DRIVER, PLUS, #2	1	
1G	515	99003-20000	DRIVER, PLUS, #3	1	
1G	516	99003-30000	DRIVER, MINUS, #2	1	
1G	517	99003-40000	LEVER	1	
1G	518	99003-50000	GRIP	1	
1G	519	99004-18002	WRENCH, PLUG BOX, 18.5	1	
1G	520	99005-02000	BAR B, HANDLE	1	
1G	521	99006-12000	HANDLE, EYE WRENCH, 120MM	1	
1G	522	99006-22000	WRENCH, EYE, 22MM	1	
1G	523	99007-45000	SPANNER, PIN, 45MM	1	
1G	524	99008-02000	BAG, TOOL, 200MM	1	
1B	525	87580-375-680A	MARK, DRIVE CAUTION	1	